

# NOORSA GOSTAR



Fluorescent Light Fittings

Downlights

Park Lights

Street Lights

Flood Lights

Lighting Pools

Explosion Proof Products

Designer , Manufacturer , Supplier



## Contents

Here for you	1
Indirect lights	2-3
Louvred lights	4-11
Prismatic lights	12-15
Batten & Reflector lights	16-17
Waterproof lights	18-19
Down lights	20-21
Park lights	22-24
Compact lights	25
Street lights	26-27
Flood & Industrial lights	28-33
Lighting pool	34-35
 <b>EHE</b> <small>FUNKHUSTER.FERNSIG</small> Signalling Devices and Communications Equipment	36
 <b>AD VIGANO</b> <small>Explosion Proof Electrical Equipment</small> Explosion Proof Electrical Equipment	37
 <b>MENNEKES</b> ® Plugs For The World	38
 <b>HENSEL</b> Electrical Installation and Distribution Systems	39
 <b>CEAG</b>  <b>COOPER</b> <small>Crouse-hinds</small> Explosion Protected Products	40



## HERE FOR YOU

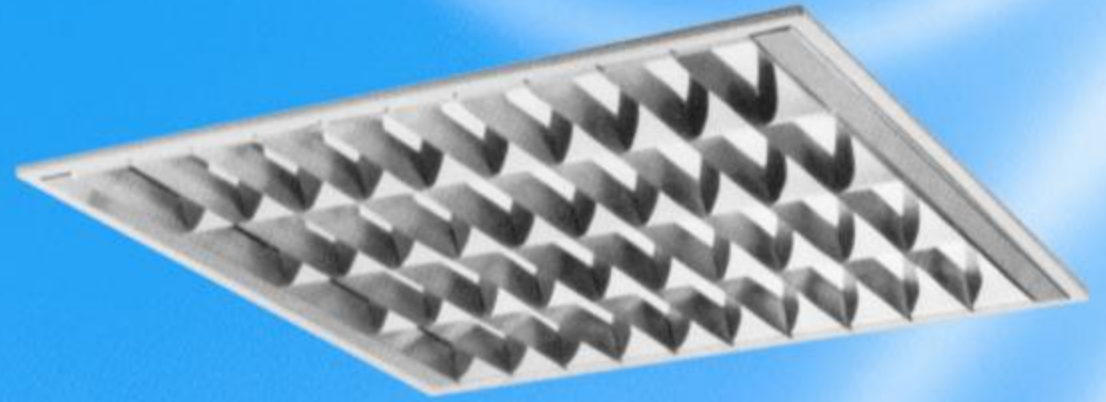
World have gone through a lot of changes over the past 22 years The various technologies and the applicable standards have been dramatically improved to provide a better life to human beings.

Among many other means of improvement LIGHTING has always played a significant role to enhance such elevated level of living standards.

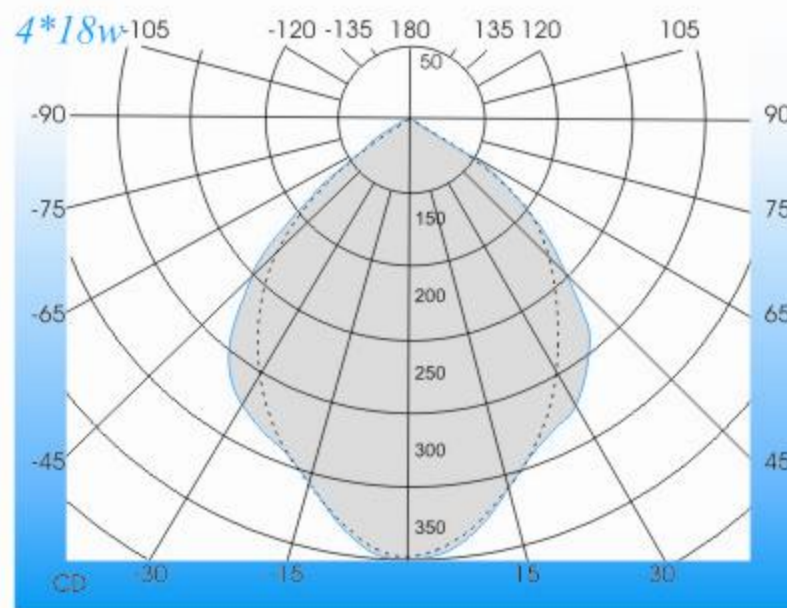
We at NOORSA have been quite active to develop and design high quality lighting fixtures and maintained certain level of competitiveness so as to meet the professional needs of our customers.



- **Housing:** In sheet steel or aluminum.
- **Optics:** Parabolic Louvre, in: High-glass anti-reflection and anti-iridescence aluminium. Matt anodised 2 $\mu$  thick aluminium
- **Painting :** Powder paint after degreasing and phosphatizing
- **Electrical equipment:** All standard ,( according to the consumers order) domestic or imported.
- **Other version:** With electronic ballast
- **On request:** Maintained version. In the event of a blackout.

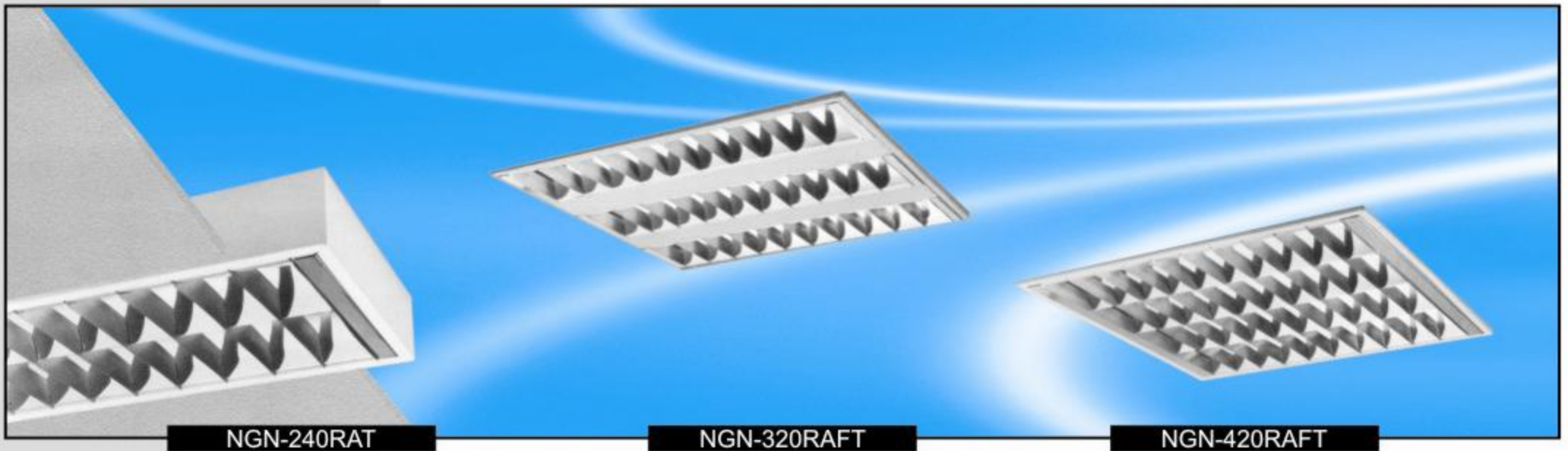


*NGN - 420 RAT*



CEILING	70	80	80	50	50	80	80	80	50	50	30	0
WALLS	50	50	30	50	30	80	50	30	50	30	30	0
WORK.PL.	20	30	30	30	30	10	10	10	10	10	10	0
INDEX	UTILISATION FACTORS IN%											
.6	33	34	29	33	28	45	32	28	31	27	27	23
.8	41	43	37	40	36	51	40	36	39	35	35	31
1.0	46	48	43	46	41	54	45	41	43	40	39	36
1.25	51	55	50	51	47	58	50	47	52	45	45	41
1.5	55	59	54	55	51	60	53	50	52	49	48	45
2.0	59	64	59	59	56	62	57	54	55	53	52	49
2.5	62	67	64	62	59	64	59	57	57	56	55	52
3.0	64	70	67	65	62	65	61	60	59	58	57	54
4.0	66	73	70	66	64	66	63	61	61	59	58	56
5.0	68	75	72	68	66	66	64	63	62	61	60	57

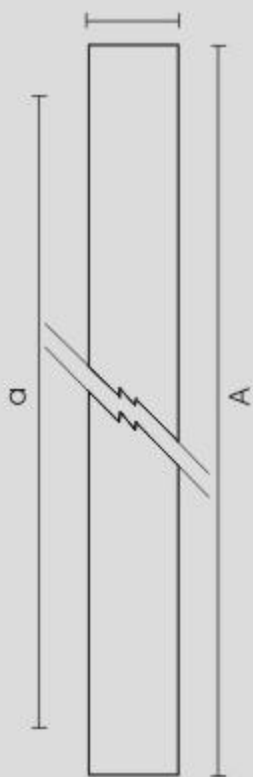
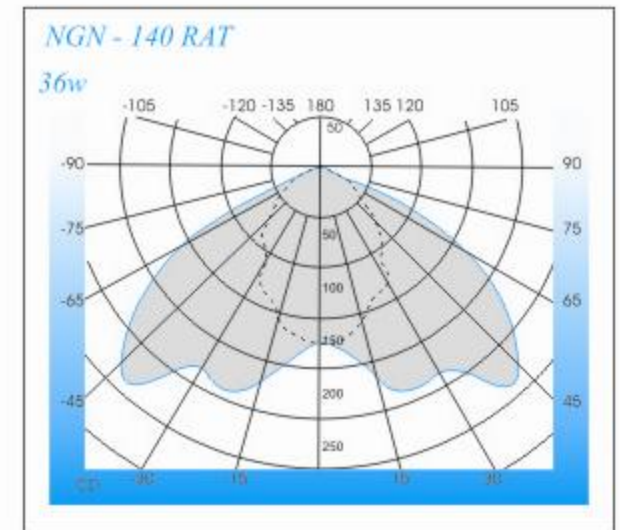
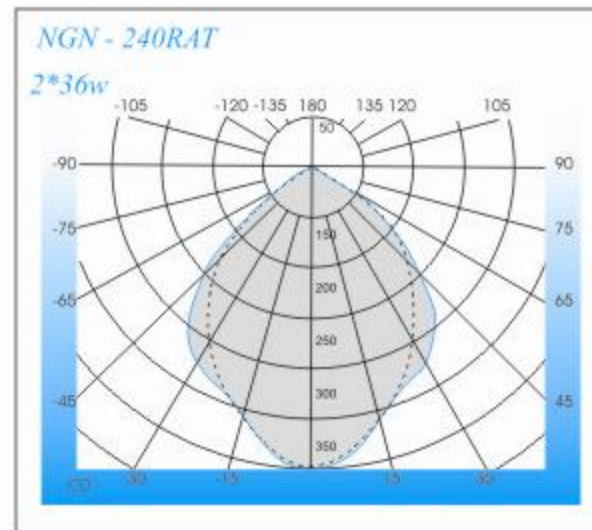
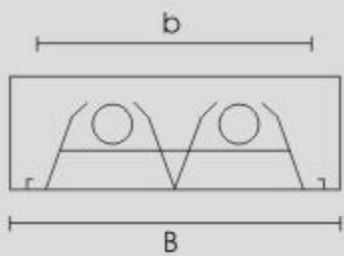
# RECESSED LOUVVRED FLUORESCENT LIGHTS



NGN-240RAT

NGN-320RAFT

NGN-420RAFT



CEILING	70	80	80	50	50	80	80	80	50	50	30	0
WALLS	50	50	30	50	30	80	50	30	50	30	30	0
WORK.PL.	20	30	30	30	30	10	10	10	10	10	10	0
INDEX	UTILISATION FACTORS IN%											
.6	30	31	27	30	26	41	30	26	29	25	25	22
.8	37	39	34	37	33	46	37	33	35	32	32	28
1.0	42	44	39	42	38	49	41	37	40	36	36	33
1.25	47	50	45	47	43	52	46	42	44	42	41	38
1.5	50	53	49	50	47	54	49	46	47	45	44	41
2.0	54	58	54	54	51	56	52	49	50	48	47	44
2.5	56	61	58	56	54	58	54	52	52	50	50	47
3.0	58	64	61	59	56	59	56	54	54	53	52	49
4.0	60	66	63	60	58	59	57	56	55	54	53	50
5.0	61	68	65	61	60	60	58	57	56	55	54	52

CEILING	70	80	80	50	50	80	80	80	50	50	30	0
WALLS	50	50	30	50	30	80	50	30	50	30	30	0
WORK.PL.	20	30	30	30	30	10	10	10	10	10	10	0
INDEX	UTILISATION FACTORS IN%											
.6	26	27	21	25	20	40	25	20	24	20	19	15
.8	33	35	29	33	28	46	33	28	32	27	27	22
1.0	39	41	35	39	33	50	38	33	37	32	32	27
1.25	45	48	42	45	40	54	44	39	42	38	38	34
1.5	49	53	47	49	45	57	48	44	46	43	42	38
2.0	54	59	54	54	51	59	53	49	51	48	47	43
2.5	58	63	59	58	55	61	56	53	54	51	51	47
3.0	61	67	63	61	58	63	58	56	56	54	53	50
4.0	63	70	66	64	61	64	60	58	58	57	56	53
5.0	65	72	69	66	64	65	62	60	60	59	57	55

## ● NGN - RAT SERIES

Code	Wattage	Weight(kg)	Dimensions(mm)				
			A	a	B	b	h
NGN140RAT	1*36W	2.8	1265	1230	180	136	70
NGN240RAT	2*36W	4.5	1265	1230	290	246	70
NGN340RAT	3*36W	6.7	1265	1230	400	356	70
NGN440RAT	4*36W	9.2	1265	1230	510	466	70
NGN120RAT	1*18W	1.8	655	620	180	136	70
NGN220RAT	2*18W	3.4	655	620	290	246	70
NGN320RAT	3*18W	4.7	655	620	400	356	70
NGN420RAT	4*18W	6.1	655	620	635	590	70

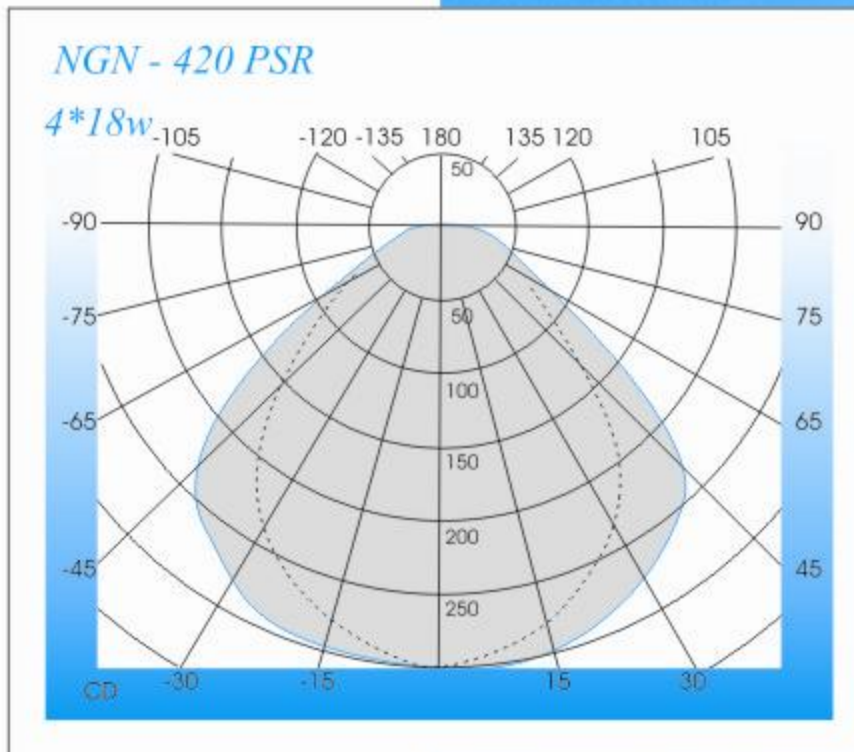
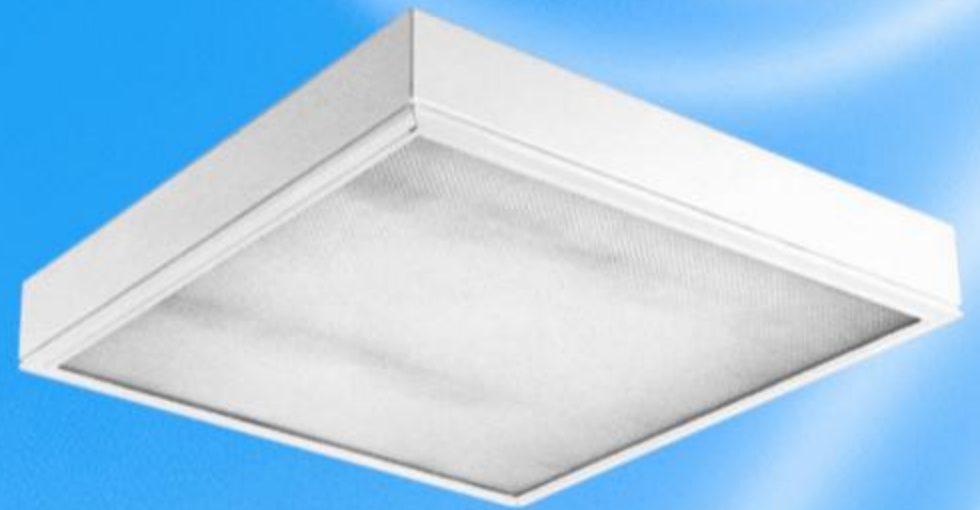
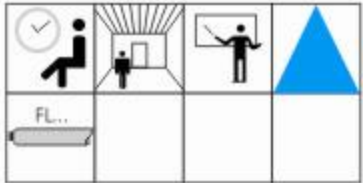
- NGN-320RAFT
  - NGN-420RAFT
- Suitable for Armstrong ceiling

59.5\*59.5 cm Panels  
62.5\*62.5 cm Panels



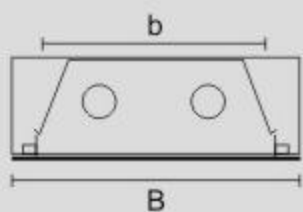
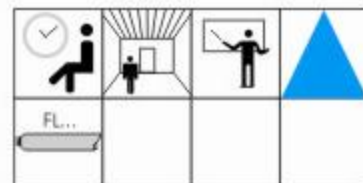
- **Housing** : In sheet steel or aluminum
- **Diffuser** : In plexiglass or prismatic sheet
- **Painting** : Powder paint after degreasing and phosphatizing
- **Electrical equipment** : All standard ,(according to the consumer`s order) domestic or imported .
- **Other version** : With electronic ballast  
the water proof series suitable for laboratories , kitchens and..
- **On Request** : Maintained version. In event of a Blackout

- *White transporent prismatic acrylic diffuser*
- *With opal acrylic plastic sheet*
- *With sandblasted glass sheet*



CEILING WALLS WORK.PL. INDEX	UTILISATION FACTORS IN%											
	70	80	80	50	50	80	80	80	50	50	30	0
.6	29	30	24	29	24	42	29	24	27	23	23	19
.8	36	38	32	36	31	48	36	31	34	30	30	26
1.0	41	44	38	41	36	51	41	36	39	35	35	31
1.25	47	50	45	43	43	55	46	42	44	41	40	36
1.5	51	55	49	51	47	57	50	46	48	45	44	40
2.0	55	60	55	56	52	60	53	50	52	49	48	45
2.5	59	64	60	59	56	62	56	54	45	52	51	48
3.0	61	67	63	62	59	63	59	56	57	55	54	51
4.0	64	70	67	64	62	64	61	59	59	57	56	53
5.0	65	72	69	66	64	65	62	60	60	59	58	55

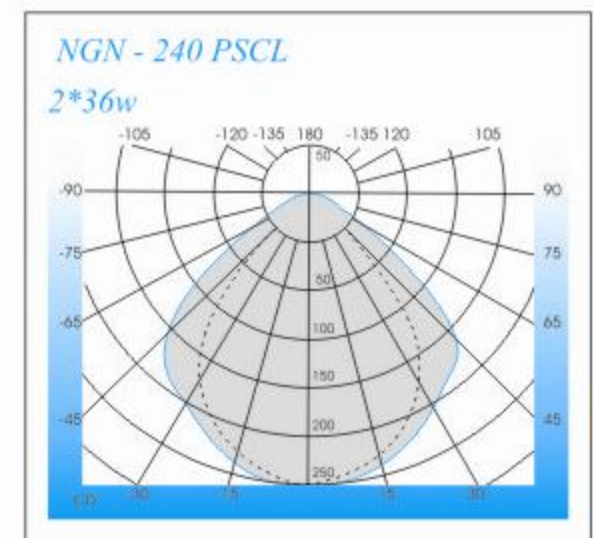
# SURFACE MOUNTING PRISMATIC FLUORESCENT LIGHTS



## ● NGN - PSR SERIES

Code	Wattage	Weight(kg)	Dimensions(mm)				
			A	a	B	b	h
NGN140PSR	1*36W	4.5	1250	-	170	-	70
NGN240PSR	2*36W	7.5	1250	-	280	-	70
NGN340PSR	3*36W	10.9	1250	-	390	-	70
NGN440PSR	4*36W	14.3	1250	-	500	-	70
NGN120PSR	1*18W	3.2	630	-	170	-	70
NGN220PSR	2*18W	5.7	630	-	280	-	70
NGN320PSR	3*18W	7.8	630	-	390	-	70
NGN420PSR	4*18W	10.3	630	-	600	-	70

CEILING WALLS WORK.PL. INDEX	UTILISATION FACTORS IN%																						
	70	80	80	50	50	80	80	80	50	50	30	0	70	80	80	50	50	80	80	80	50	50	30
.6	29	30	24	29	24	42	29	24	27	23	19	29	30	24	29	24	42	29	24	27	23	19	
.8	36	38	32	36	31	48	36	31	34	30	26	36	38	32	36	31	48	36	31	34	30	26	
1.0	41	44	38	41	36	51	41	36	39	35	31	41	44	38	41	36	51	41	36	39	35	31	
1.25	47	50	45	43	43	55	46	42	44	41	36	47	50	45	43	43	55	46	42	44	41	36	
1.5	51	55	49	51	47	57	50	46	48	45	40	51	55	49	51	47	57	50	46	48	45	40	
2.0	55	60	55	56	52	60	53	50	52	49	45	55	60	55	56	52	60	53	50	52	49	45	
2.5	59	64	60	59	56	62	56	54	45	52	48	59	64	60	59	56	62	56	54	45	52	48	
3.0	61	67	63	62	59	63	59	56	57	55	51	61	67	63	62	59	63	59	56	57	55	51	
4.0	64	70	67	64	62	64	61	59	59	57	53	64	70	67	64	62	64	61	59	59	57	53	
5.0	65	72	69	66	64	65	62	60	60	59	55	65	72	69	66	64	65	62	60	60	59	55	

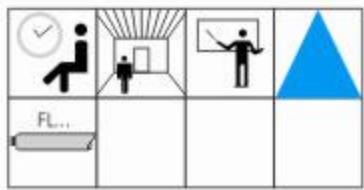


## ● NGN - PSCL SERIES

Code	Wattage	Weight(kg)	Dimensions(mm)				
			A	a	B	b	h
NGN140PSCL	1*36W	4.5	1250	-	177	-	52
NGN240PSCL	2*36W	7.5	1250	-	262	-	52
NGN340PSCL	3*36W	10.9	1250	-	347	-	52
NGN440PSCL	4*36W	14.3	1250	-	432	-	52
NGN120PSCL	1*18W	3.2	650	-	177	-	52
NGN220PSCL	2*18W	5.7	650	-	262	-	52
NGN320PSCL	3*18W	7.8	650	-	347	-	52
NGN420PSCL	4*18W	10.3	650	-	432	-	52

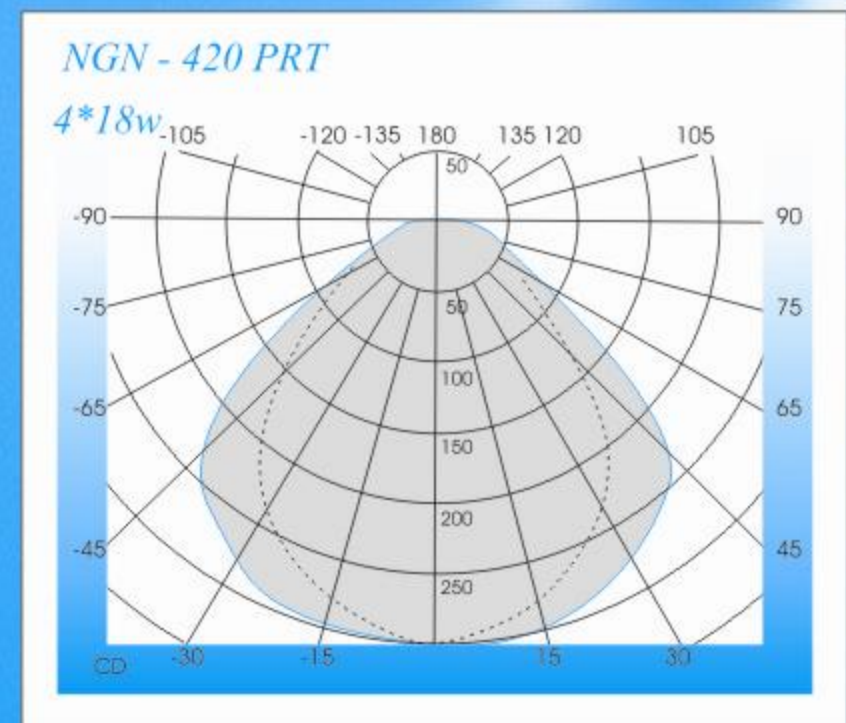
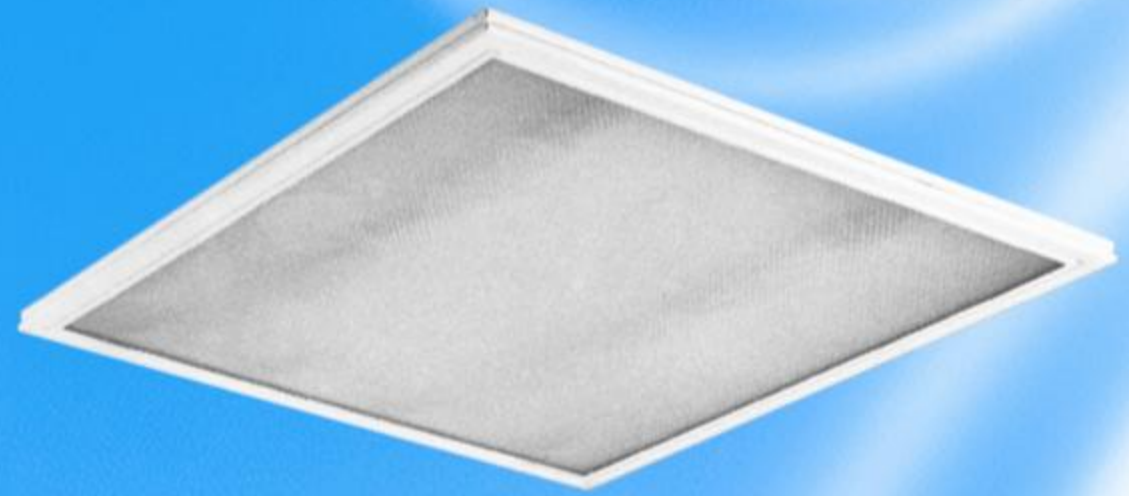


- **Housing:** In sheet steel or aluminum.
  - **Diffuser:** In plexiglass or prismatic sheet.
  - **Painting :** Powder paint after degreasing and phosphatizing
  - **Electrical equipment:** All standard ,( according to the consumer`s order) domestic or imported.
  - **Other version:** With electronic ballast the water proof series suitable for laboratories, kitchens and...
  - **On request:** Maintained version. In the event of a blackout,one lamp connected to the emergency circuit remains on.
  - **Installation:** In different designs to be used in all kinds of suspended ceilings ( Armstrong, Knauf, dampa, Rabbits,
- *White transporent prismatic acrylic diffuser*
  - *With opal acrylic plastic sheet*
  - *With sandblasted glass sheet*



● **PRISMATIC LIGHTS OF OPERATION ROOM**

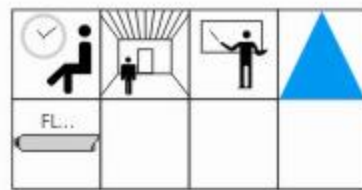
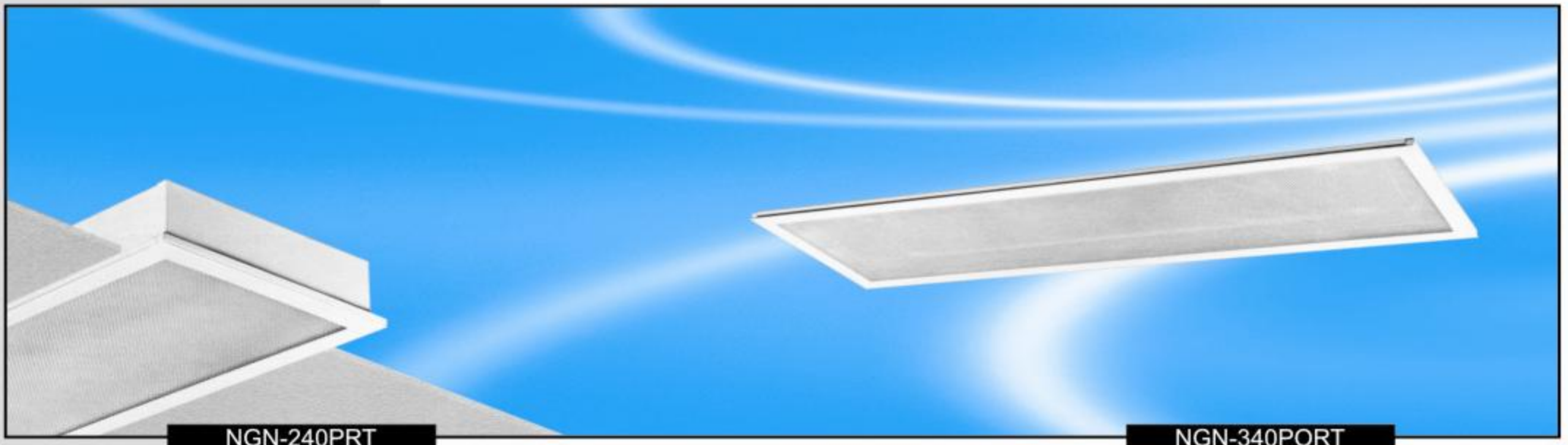
- These lights are equipped with three water proofing rubber layers so they are perfectly isolated from the ceiling and installment atmosphere.
- Resisting to temperature variations between -40c and +70c without expansion and contraction and up to +140c without deformity.
- Resisting to all kind of dissolvers even alcohols and acids.
- Resisting to the ultraviolet ray.
- Shockproof and up to 40 times as compressed as glass.
- Separate reflectors of these lights are made of anodized aluminum or oleaginous sheets coated with fluid shining electrostatic paint that makes the light distributed evenly and steadily.



CEILING WALLS WORK.PL. INDEX	UTILISATION FACTORS IN%											
	70	80	80	50	50	80	80	80	50	50	30	0
.6	29	30	24	29	24	42	29	24	27	23	23	19
.8	36	38	32	36	31	48	36	31	34	30	30	26
1.0	41	44	38	41	36	51	41	36	39	35	35	31
1.25	47	50	45	43	43	55	46	42	44	41	40	36
1.5	51	55	49	51	47	57	50	46	48	45	44	40
2.0	55	60	55	56	52	60	53	50	52	49	48	45
2.5	59	64	60	59	56	62	56	54	45	52	51	48
3.0	61	67	63	62	59	63	59	56	57	55	54	51
4.0	64	70	67	64	62	64	61	59	59	57	56	53
5.0	65	72	69	66	64	65	62	60	60	59	58	55

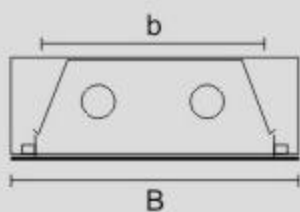


# RECESSED PRISMATIC FLUORESCENT LIGHTS

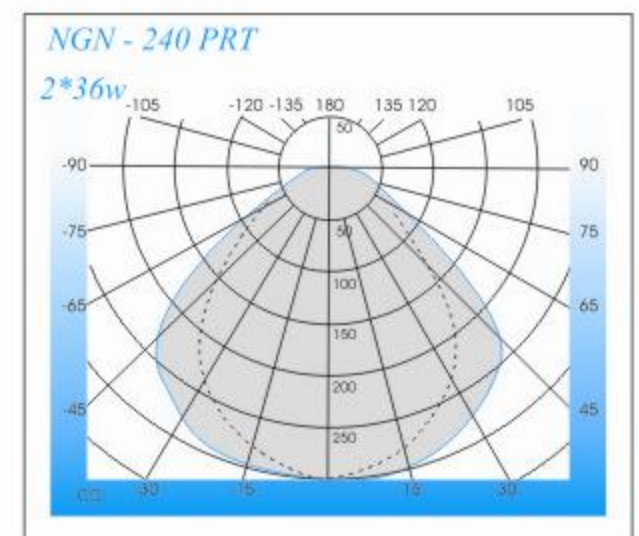


## ● NGN - PRT SERIES - IP43

Code	Wattage	Weight(kg)	Dimensions(mm)				
			A	a	B	b	h
NGN140PRT	1*36W	4.3	1265	1230	180	136	70
NGN240PRT	2*36W	6.7	1265	1230	290	246	70
NGN340PRT	3*36W	9.9	1265	1230	400	356	70
NGN440PRT	4*36W	13.2	1265	1230	510	466	70
NGN120PRT	1*18W	2.8	655	620	180	136	70
NGN220PRT	2*18W	4.9	655	620	290	246	70
NGN320PRT	3*18W	6.9	655	620	400	356	70
NGN420PRT	4*18W	9.4	655	620	635	590	70



CEILING WALLS WORK.PL. INDEX	UTILISATION FACTORS IN%											
	70	80	80	50	50	80	80	80	50	50	30	0
.6	29	30	24	29	24	42	29	24	27	23	23	19
.8	36	38	32	36	31	48	36	31	34	30	30	26
1.0	41	44	38	41	36	51	41	36	39	35	35	31
1.25	47	50	45	43	43	55	46	42	44	41	40	36
1.5	51	55	49	51	47	57	50	46	48	45	44	40
2.0	55	60	55	56	52	60	53	50	52	49	48	45
2.5	59	64	60	59	56	62	56	54	45	52	51	48
3.0	61	67	63	62	59	63	59	56	57	55	54	51
4.0	64	70	67	64	62	64	61	59	59	57	56	53
5.0	65	72	69	66	64	65	62	60	60	59	58	55



## ● NGN - PORT SERIES - IP54

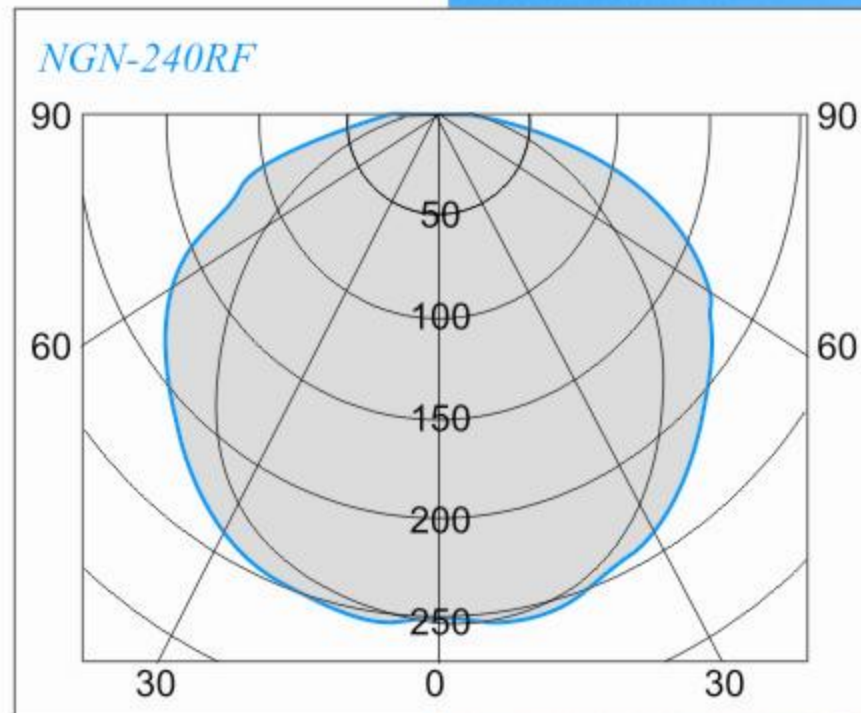
Code	Wattage	Weight(kg)	Dimensions(mm)				
			A	a	B	b	h
NGN220PORT	2*36W		1250	1225	250	216	85
NGN340PORT	3*36W		1250	1225	382	356	85
NGN440PORT	4*36W		1250	1225	382	356	85



Noorsa produces the **FORD** Batten and reflector fittings from smoot white powder coated heavy gauge steel sheets. This durable design, is simple to install and very easy to maintain. The FORD Light fittings are recommended for warehouses, industrial buildings and other commercial lighting applications.

**Size options:**

- 1 \* 18 w Batten, Reflector
- 2 \* 18 w Batten and Reflector Fitting
- 1 \* 36 w Batten, Reflector
- 2 \* 36 w Batten and Reflector Fitting
- 3 \* 36 w Batten and Reflector Fitting



	90.0	105.0	120.0	135.0	150.0	165.0	180.0	
0.0	168	168	168	168	168	168	168	C - plane
10.0	168	168	167	169	169	163	170	
20.0	163	162	163	165	166	163	170	
30.0	150	151	155	159	163	160	167	
40.0	131	135	142	146	155	162	162	
50.0	106	113	122	133	139	1145	148	
60.0	76	87	101	110	122	127	131	
70.0	48	60	78	86	97	100	102	
80.0	23	40	52	55	70	74	75	
90.0	4	12	19	29	50	54	55	
100.0	6	10	28	44	56	65	68	
110.0	4	6	23	38	52	60	61	
120.0	3	4	14	28	39	47	49	
130.0	2	3	9	21	30	38	38	
140.0	1	3	6	11	17	23	23	
150.0	1	3	5	7	13	13	13	
160.0	1	3	3	4	4	6	8	
170.0	0	0	1	1	1	1	1	

Gamma - angle

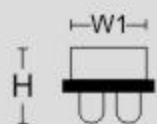
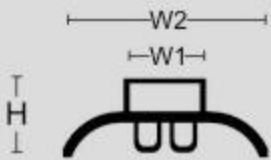
# BATTEN & REFLECTOR LIGHTING FITTING



NGN-140RF

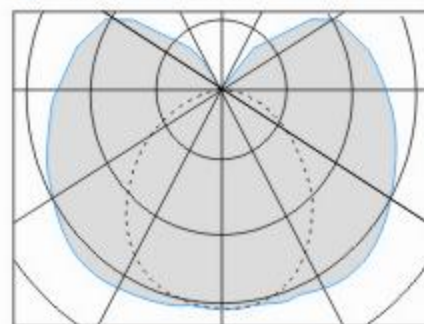
NGN-140BF

NGN-240BF



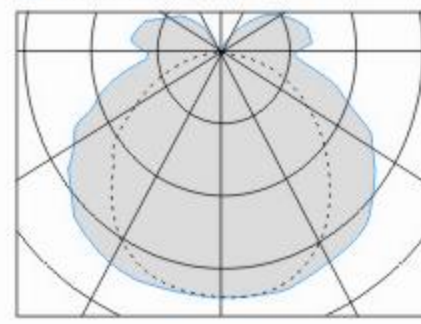
Ref. No.	Lamp	Description	Dimension (mm)				Weight (Kg)
			L	W1	W2	H	
NGN-120BF	1*18 W Fl.	Batten Fitting	625	50	-	95	1.1
NGN-220BF	2*18 W Fl.	Batten Fitting with 1*40w Ballast	625	95	-	95	1.6
NGN-220BFM	2*18 W Fl.	Batten Fitting with 2*20w Ballast	625	95	-	95	2.2
NGN-140BF	1*36 W Fl.	Batten Fitting	1233	50	-	95	1.5
NGN-240BF	2*36 W Fl.	Batten Fitting	1233	95	-	95	2.9
NGN-340BF	3*36 W Fl.	Batten Fitting	1233	137	-	95	3.9
NGN-120RF	1*18 W Fl.	Reflector Fitting	6254	50	150	95	1.4
NGN-220RF	2*18 W Fl.	Reflector Fitting with 1*40w Ballast	625	95	230	95	1.9
NGN-220RFM	2*18 W Fl.	Reflector Fitting with 2*20w Ballast	625	95	230	95	2.5
NGN-140RF	1*36 W Fl.	Reflector Fitting	1233	50	150	95	2.2
NGN-240RF	2*36 W Fl.	Reflector Fitting	1233	95	230	95	4.0
NGN-340RF	3*36 W Fl.	Reflector Fitting	1233	137	285	95	5.0

● NGN - 140 BF



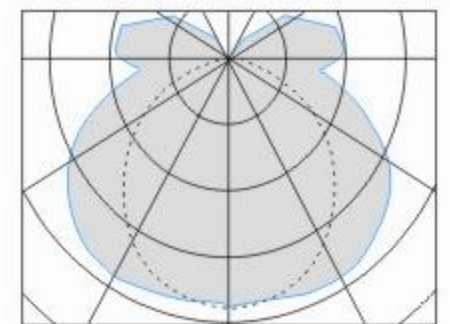
Gamma - angle	C - plane						
	90.0	105.0	120.0	135.0	150.0	165.0	180.0
0.0	152	152	152	152	152	152	152
10.0	150	150	153	152	151	152	151
20.0	143	142	148	149	150	153	153
30.0	130	130	138	145	152	158	164
40.0	111	110	126	141	149	159	162
50.0	86	89	111	131	143	157	158
60.0	60	68	94	118	132	149	152
70.0	35	49	77	100	119	134	139
80.0	17	32	60	86	108	130	136
90.0	7	20	48	76	99	121	127
100.0	6	15	43	73	93	115	119
110.0	2	11	37	74	99	110	112
120.0	2	4	20	48	65	76	100
130.0	2	2	9	30	45	60	61
140.0	2	2	2	13	26	37	37
150.0	2	2	2	4	9	11	13
160.0	0	2	2	2	4	7	7

● NGN - 240 BF



Gamma - angle	C - plane						
	90.0	105.0	120.0	135.0	150.0	165.0	180.0
0.0	168	168	168	168	168	168	168
10.0	168	168	167	169	169	163	170
20.0	163	162	163	165	166	163	170
30.0	150	151	155	159	163	160	167
40.0	131	135	142	146	155	162	162
50.0	106	113	122	133	139	145	148
60.0	76	87	101	110	122	127	131
70.0	48	60	78	86	97	100	102
80.0	23	40	52	55	70	74	75
90.0	4	12	19	29	50	54	55
100.0	4	10	28	44	56	65	68
110.0	4	6	23	38	52	60	61
120.0	3	4	14	28	39	47	49
130.0	2	3	9	21	30	38	38
140.0	1	3	6	11	17	23	23
150.0	1	3	5	7	13	13	13
160.0	1	3	3	4	4	6	6
170.0	0	1	1	1	1	1	1

● NGN - 340 BF



Gamma - angle	C - plane						
	90.0	105.0	120.0	135.0	150.0	165.0	180.0
0.0	186	186	186	186	186	186	186
10.0	184	186	179	181	186	184	188
20.0	176	179	171	179	181	186	189
30.0	162	164	158	171	180	186	191
40.0	137	144	142	159	172	182	186
50.0	111	116	123	144	158	169	173
60.0	79	91	98	119	140	152	157
70.0	48	63	74	93	108	120	123
80.0	23	27	39	59	70	99	87
90.0	5	17	36	60	72	76	91
100.0	5	10	29	60	69	93	96
110.0	2	7	24	44	60	76	79
120.0	3	4	15	27	45	61	63
130.0	4	3	8	17	30	42	44
140.0	3	3	3	10	20	23	26
150.0	2	2	4	6	7	14	14



## RAX SERIES

### Waterproof fittings

**LUMINAIRE HOUSING:** Modern design with High out-put. Made of Injected moulded Polystyrene, stable protected to UV radiations with high stability and mechanical resistance. Finished in gray colour with efficient polyurethane gasket which is injected into the body to achieve protection IP65.

Body can be fixed directly to the ceiling by screws supplied on luminaire or with steel bracket system also included. According to norms ENEC-10/VDE.

**REFLECTOR:** Made of galvanized steel sheet and lacquered in white epoxy-polyester by thermohardening polyurethane powders, stabilized and UV protected, proceeded by washing and phospho-cleaning of the surfaces.

Hanging system for reflector is included on the luminaire.

**DIFFUSER:** Injection moulder polycarbonate, clear prismatic with internal longitudinal stripes. UV protected. Hanging system for the diffuser (The two end clips at the sides of diffuser hangs the diffuser) .

Clips are made in polycarbonate.

**ACCESORIOS:** Inox fixing clips on request (REF.RAX/INOX) .

Inox mounting brackets.

Inox suspension holders

## REX SERIE

### Polycarbonate Diffuser (Unbreakable) Waterproof Fittings

**LUMINAIRE HOUSING:** Modern design with High out-put. Made of Injected moulded Polycarbonate (PC), stable, protected to UV radiations with high stability and mechanical resistance. Finished in gray colour with efficient polyurethane gasket which is injected into the body to achieve protection IP65.

Body can be fixed directly to the ceiling by screws supplied on luminaire or with steel bracket system also included. According to norms ENEC-10/VDE.

**REFLECTOR:** Made of galvanized steel sheet and lacquered in white epoxy-polyester by thermohardening polyurethane powders, stabilized and UV protected, proceeded by washing and phospho-cleaning of the surfaces.

Hanging system for reflector is included on the luminaire.

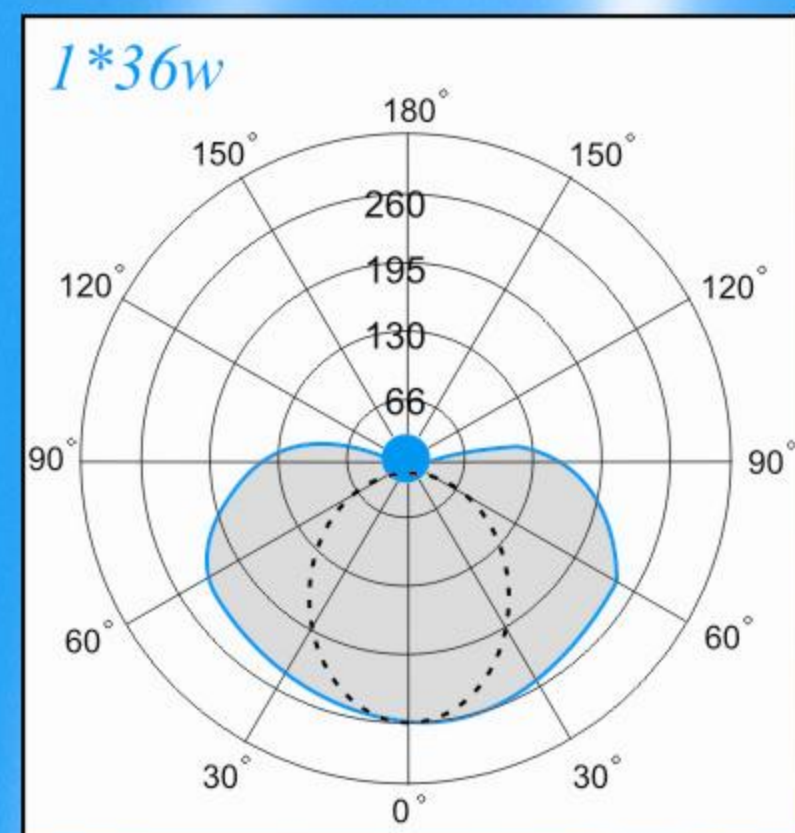
**DIFFUSER:** Injection moulder polycarbonate, clear prismatic with internal longitudinal stripes. UV protected. Hanging system for the diffuser (The two end clips at the sides of diffuser hangs the diffuser) .

Clips are made in polycarbonate.

**ACCESORIOS:** Inox fixing clips on request .

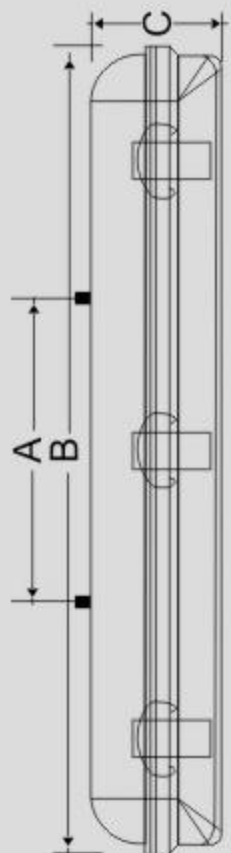
Inox mounting brackets.

Inox suspension holders.





NGN-240WA-WE

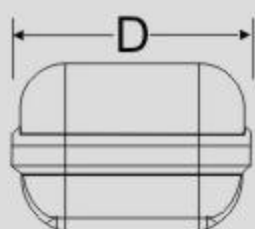


### DIFFUSER IN POLYSTYRENE

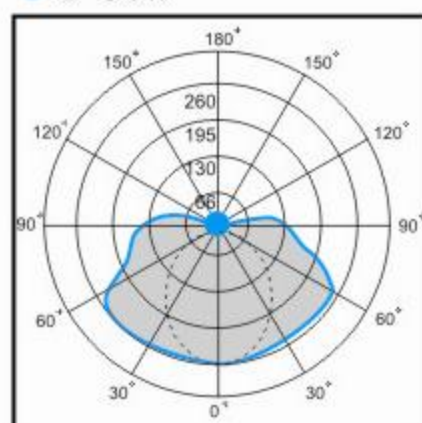
Reference	W.	Lamp.	L	A	H	Lampholder	Weight
RAX-118	1*18	T-8	660	100	100	G-13	2
RAX-136	1*36	T-8	1.270	100	100	G-13	3.5
RAX-158	1*58	T-8	1.570	100	100	G-13	4.5
RAX-218	2*18	T-8	660	160	100	G-13	2.5
RAX-236	2*36	T-8	1.270	160	100	G-13	5.5
RAX-258	2*58	T-8	1.570	160	100	G-13	7.5

### DIFFUSER IN POLYCARBONATE

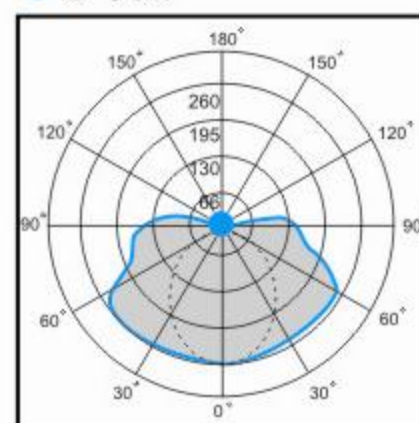
Reference	W.	Lamp.	L	A	H	Lampholder	Weight
REX-118	1*18	T-8	660	135	100	G-13	2
REX-136	1*36	T-8	1.270	135	100	G-13	3.5
REX-158	1*58	T-8	1.570	135	100	G-13	4.5
REX-218	2*18	T-8	660	135	100	G-13	2.5
REX-236	2*36	T-8	1.270	135	100	G-13	5.5
REX-258	2*58	T-8	1.570	135	100	G-13	7.5



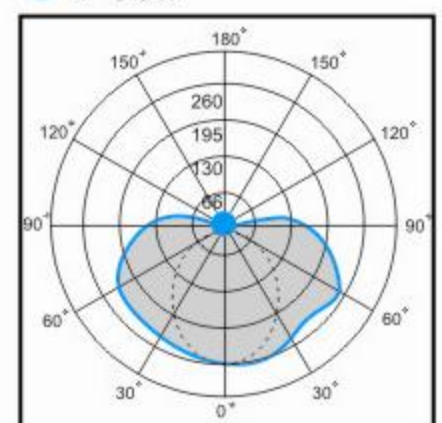
● 2\*36w



● 2\*58w

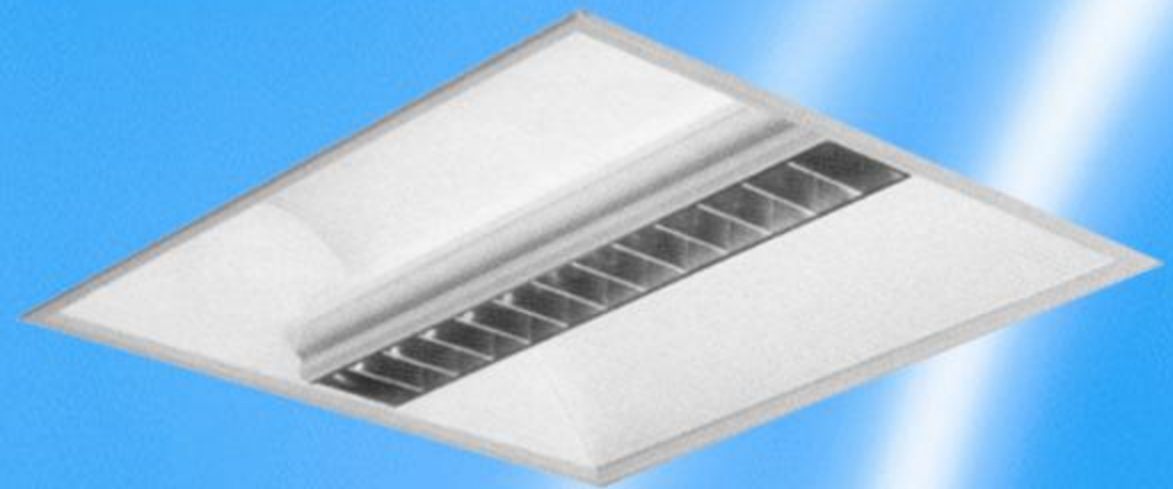
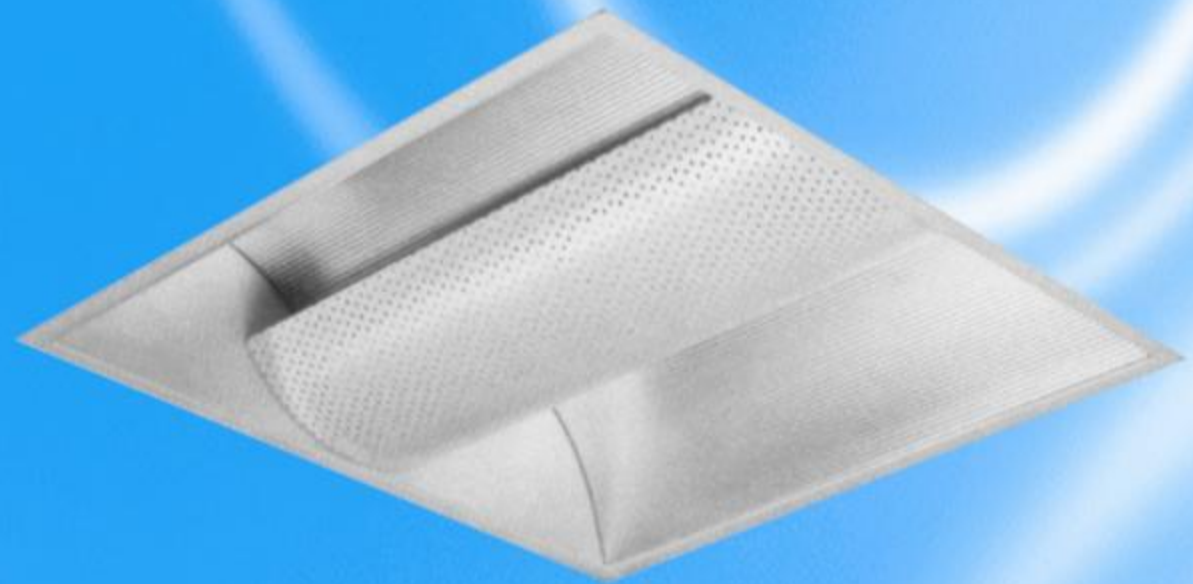


● 1\*58w

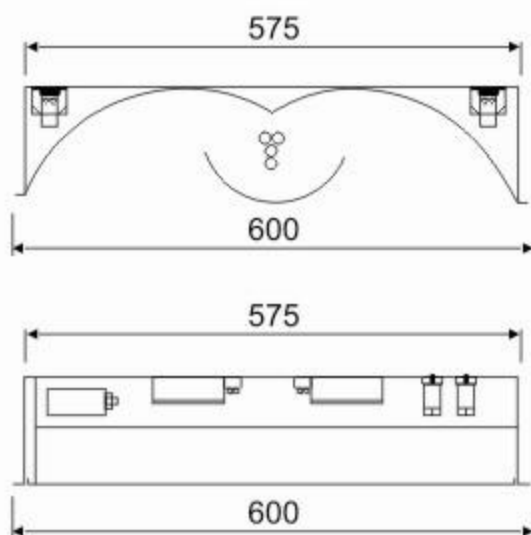




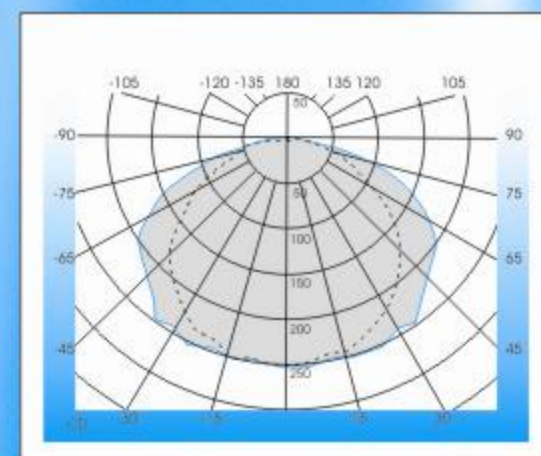
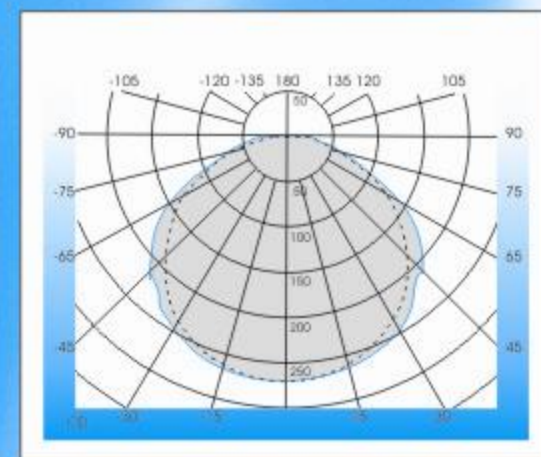
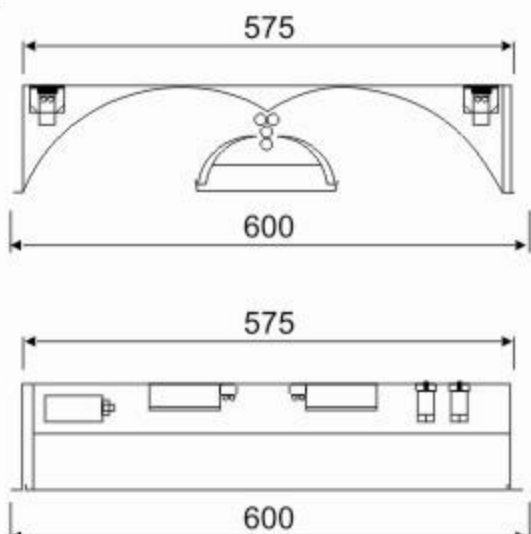
- **Housing:** In sheet steel.
- **Reflector:** In anodised aluminium or white steel sheet.
- **Diffuser:** protruding semi-sphere in micro-perforated sheet metal.
- **Painting:** Powder paint after degreasing and phosphatizing.
- **Electrical equipment:** All standard, (according to the consumer's order ) domestic or imported.
- **Other version:** With electronic ballast.
- **On request:** Maintained version. In the event of a blackout, one lamp connected to the emergency circuit remains on.
- **Lamps:** supplied with energy saving or fluorescent lamps.



● *NGN-418NT*



● *NGN-120NAT*





### DTM-CRT SERIES

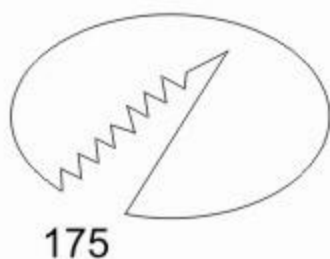
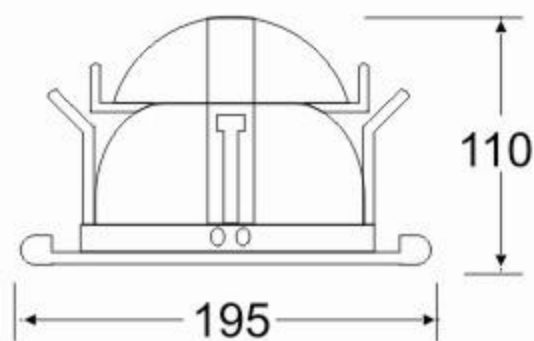
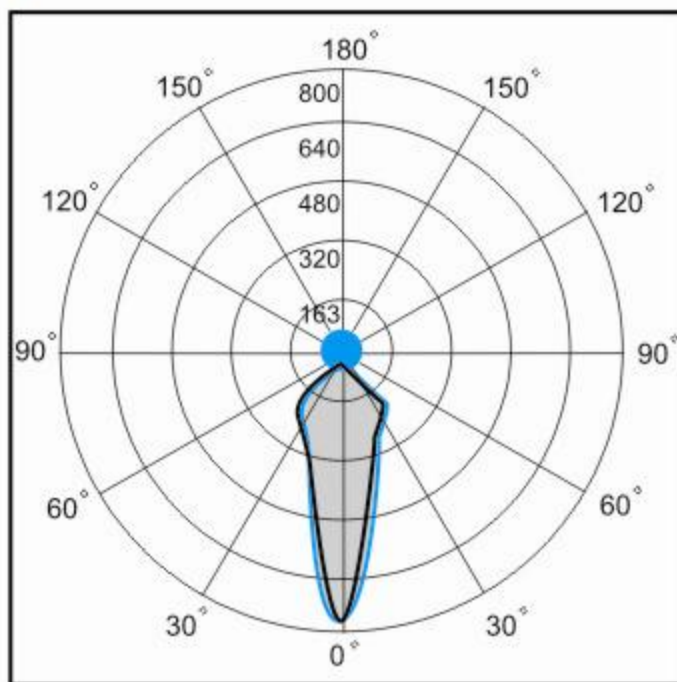
Compact Design, horizontal position for Metal Halide or sodium double-ended or TC-D/TC-DEL lamps. Reflector is equipped with a Mat-sanded lens for soft light diffusion and lamp protection.

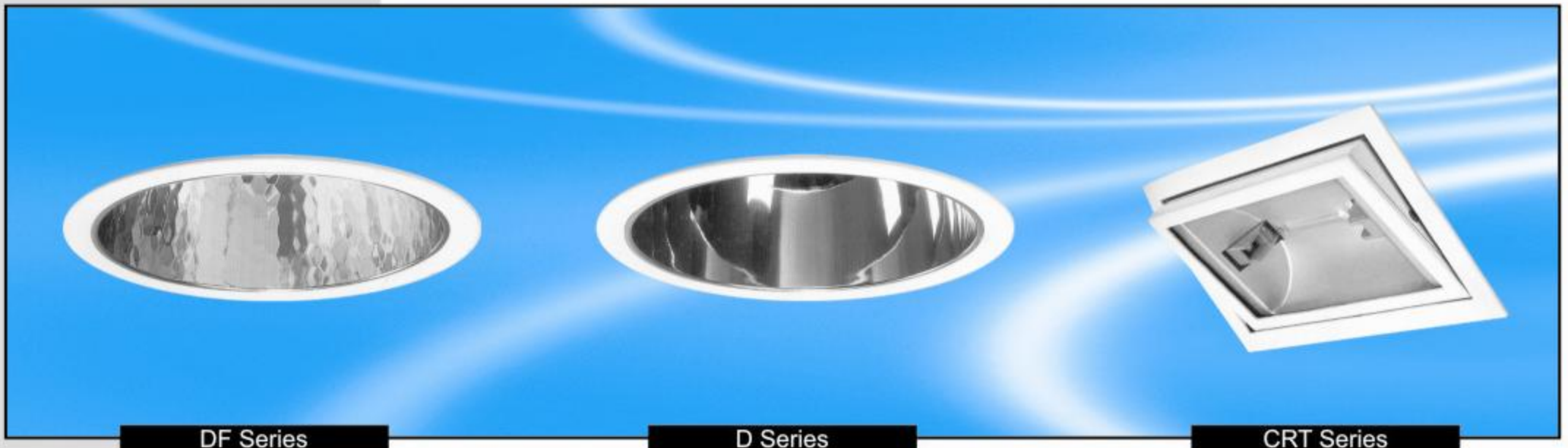
**LUMINAIRE HOUSING:** Made of high quality 0.6 mm trimmed, galvanized steel sheet. The Control Gear unit comes on Gear Tray (option A) or in a galvanized Metal Box (option B). White flange rounded ring made in enamelled steel sheet with thermo-hardened UV resistant powder coated. Installation using tension clips. WIELAND connector is optional. According to Norm ENEC-10/VDE.

**OPTIC:** High specular polished reflector made of pure aluminium, silver coated by vapour deposition. Reflector is precision formed to render very high light efficiency.

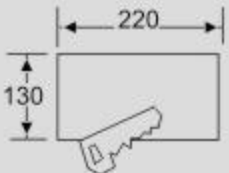
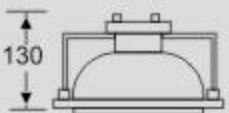


● DTM-70w. HIT-DE





## CRT



## TURBO PARABOLIC REFLECTOR

Compact Design, horizontal position for lamps TC-D/TC-DEL.

Open reflector features a six segmented anti-glare louvre optic.

**LUMINAIRE HOUSING:** Made of high quality 0.6 mm trimmed, galvanized steel sheet. White flange ring made in enamelled steel sheet with thermo-hardened UV resistant powder coat. Installation using tension clips. WIELAND connector is optional. According to Norm ENEC-10/VDE.

**OPTIC:** High specular polished turbo reflector made of pure aluminium, silver coated by vapour deposition. Louvre optic reduces glare to  $<200\text{cd/m}^2$  at  $55^\circ$ , suitable for VDT workstation.

Category 11. Reflector is precision formed to render very high light.

**OPTIONAL:** other diametres on request.

## D SERIES

Compact Design, horizontal position for lamps TC-D/TC-DEL.

Open reflector for maximum output in luminous intensity.

**LUMINAIRE HOUSING:** Made of high quality 0.6 mm trimmed, galvanized steel sheet. White flange ring made in enamelled steel sheet with Thermo-hardened UV resistant powder coat. Installation using tension clips. WIELAND connector is optional.

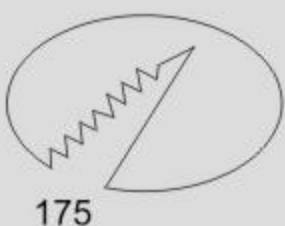
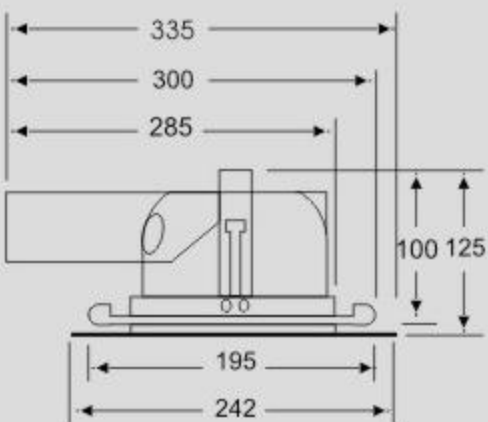
According to Norm ENEC-10/VDE.

**OPTIC:** High specular polished reflector made of pure aluminium, silver coated by vapour deposition.

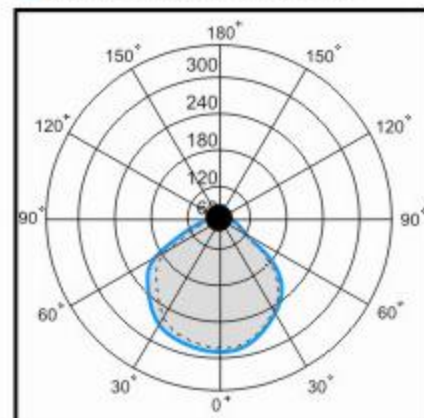
Reflector is precision formed to render very high light efficiency.

DF SERIES FACTED REFLECTOR: Same as "D" series only changing reflector design

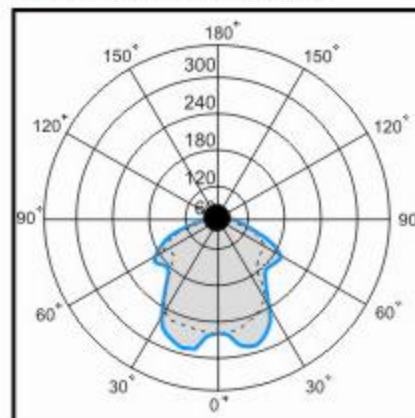
## DGA



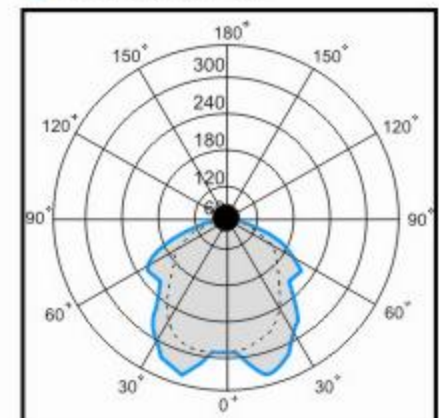
● CRT-150 W. HIT-DE



● DF-195 - 2\*18 W.



● D-195 - 2\*18







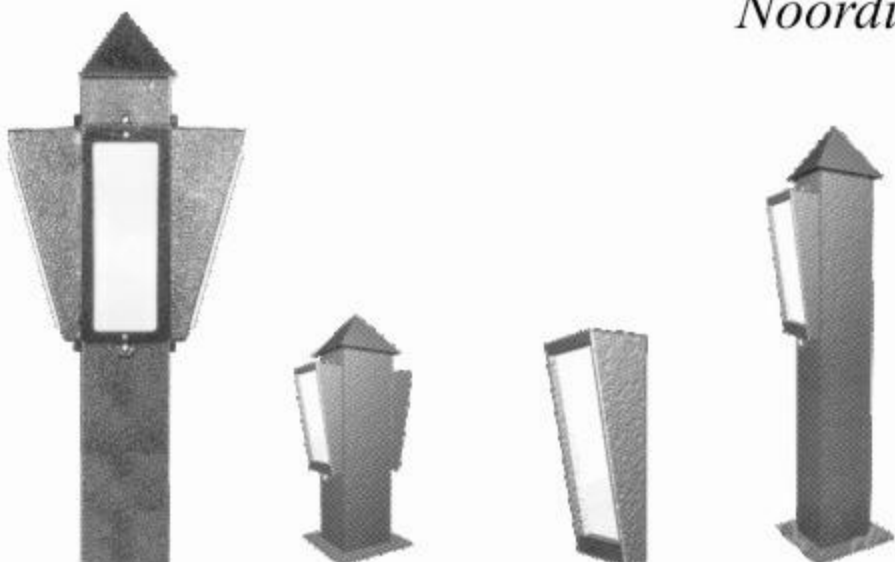
*Afroz*



*Setareh*

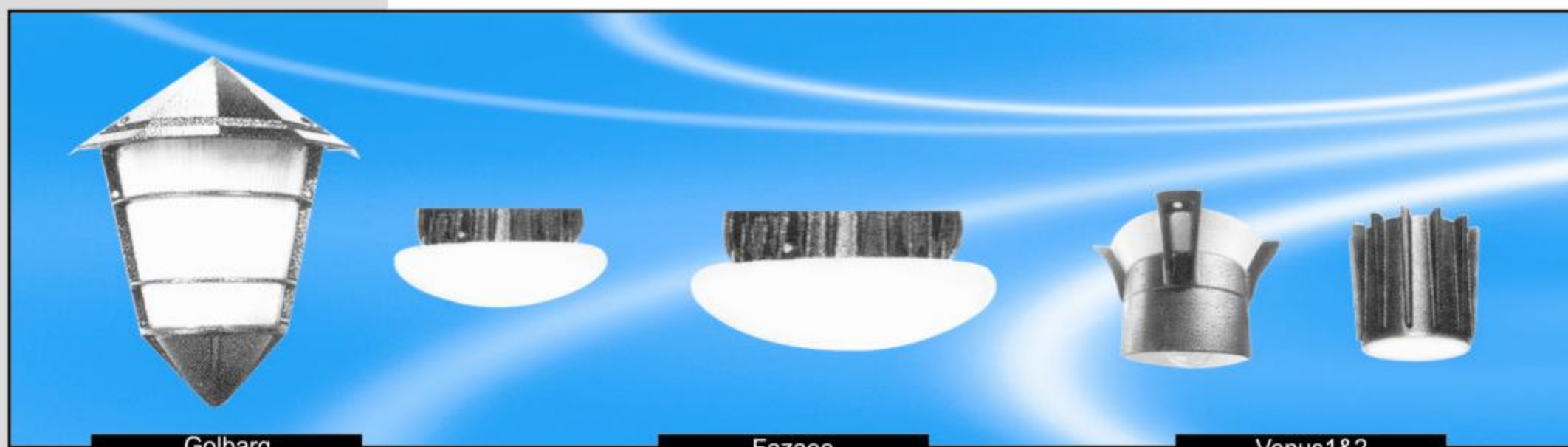


*Noordik*



*Fanus*

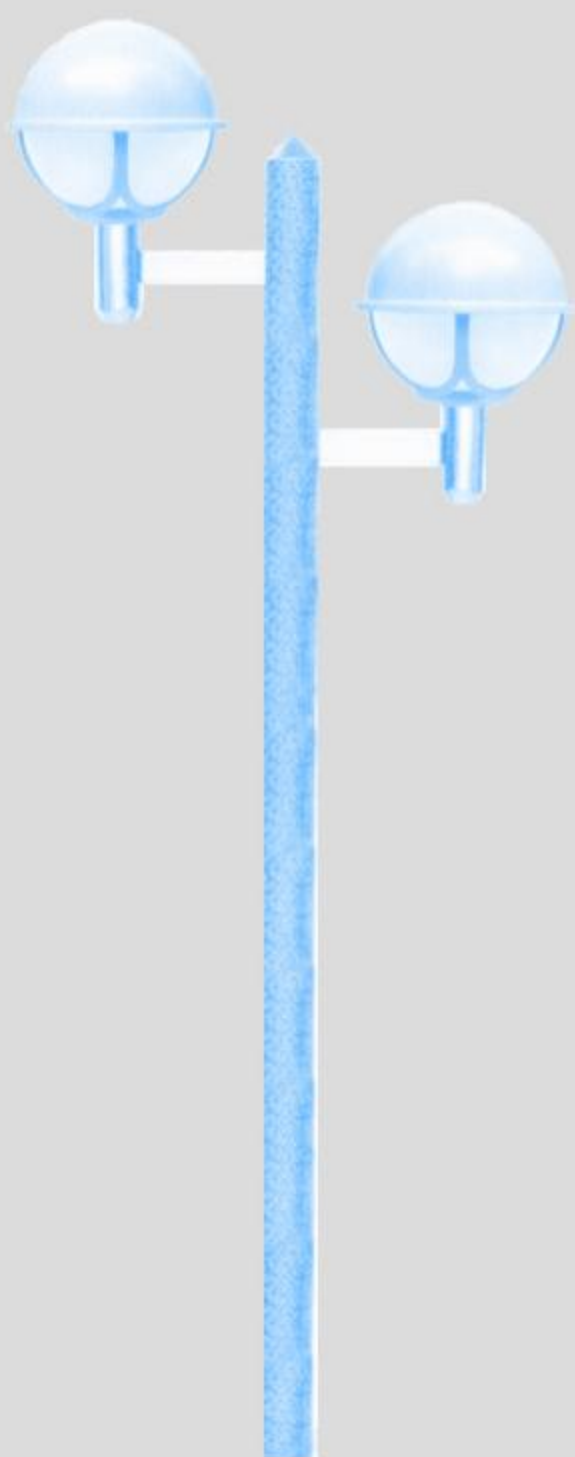
# Park Light Fitting



Golbarg

Fazaee

Venus1&2



*SPORT*



*Niloofar*



*Sport*





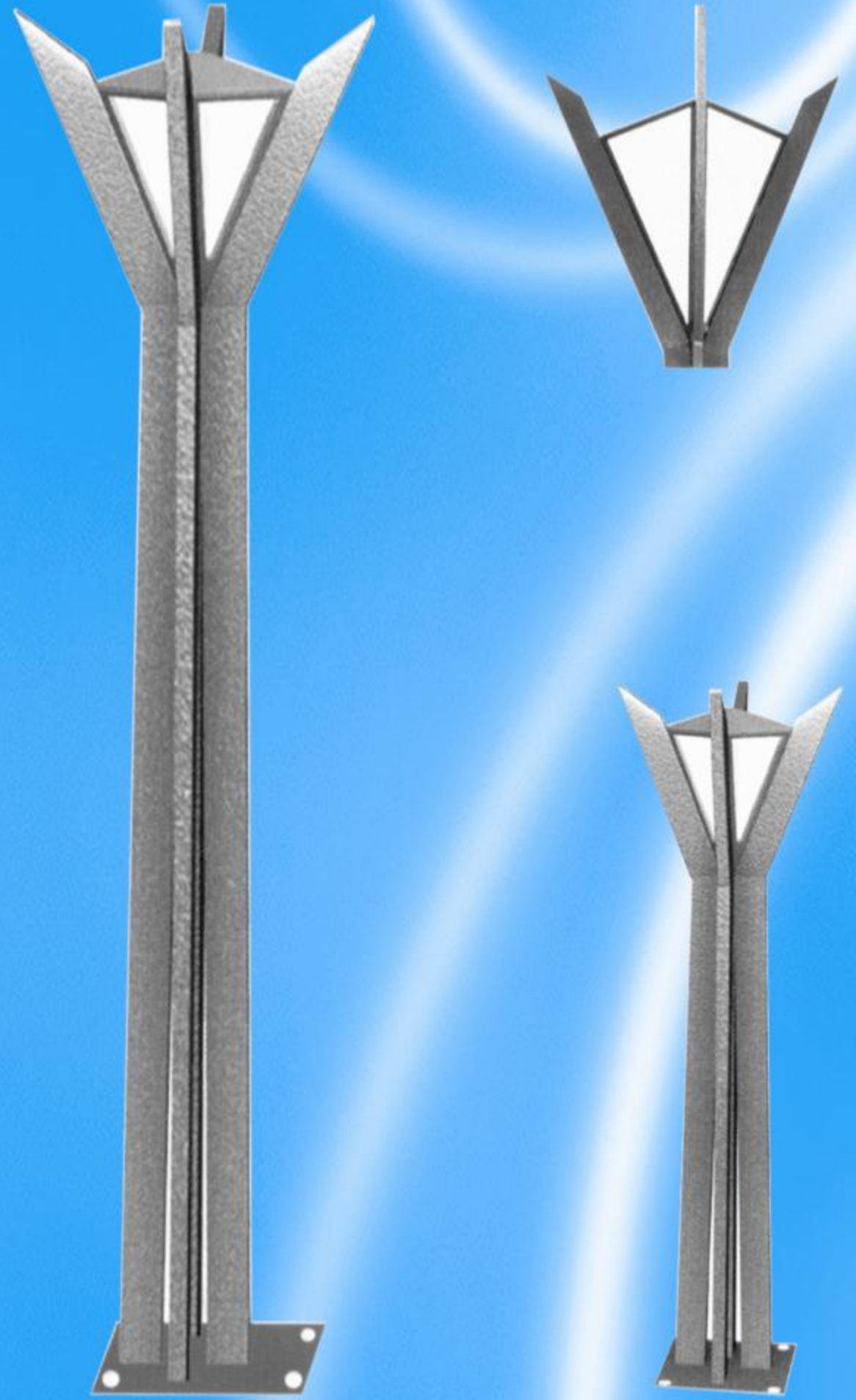
*Parto*



*Safineh*

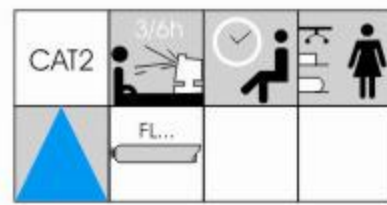
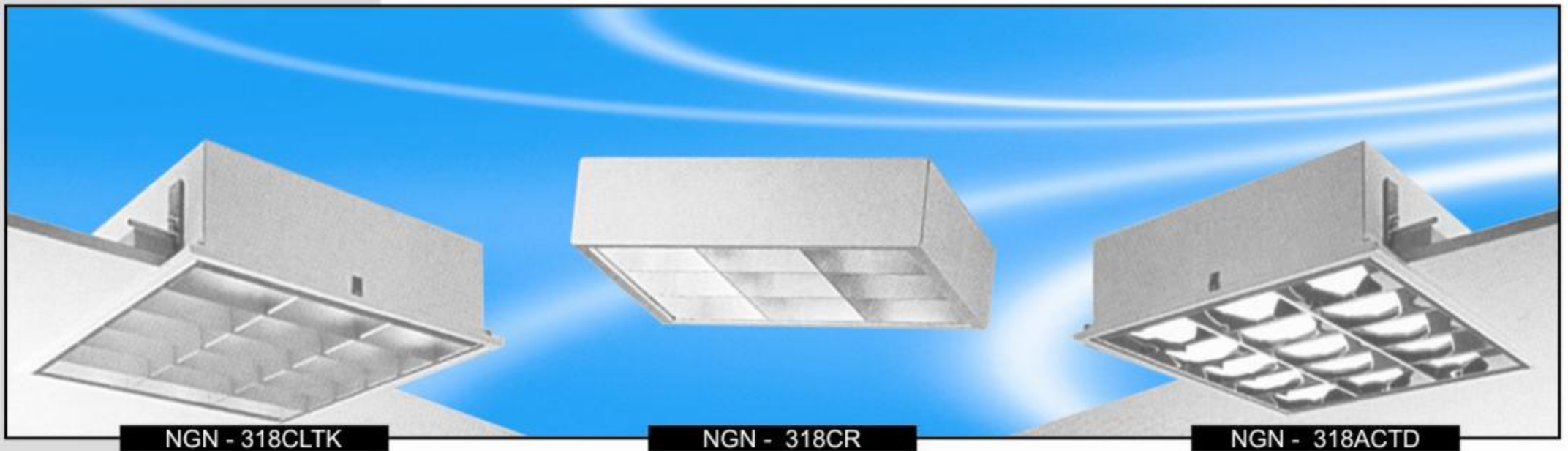


*Kolbeh*



*Classic*

# COMPACT LOUVERED LIGHTING FITTING



- **Housing:** In sheet steel or aluminum.
- **Optics:** Parabolic louvre, in:high-gloss anti-reflection and anti-iridescence aluminium. Matt anodised 2u thick aluminium.
- **Painting:** Powder paint after degreasing and phosphatizing.
- **Electrical equipment:** All standard, (according to the consumer`s order ) domestic or imported.
- **Other version:** With electronic ballast.
- **Lamps:** supplied with Compact Fluorescent Lamps.

● *NGN-CR SERIES*

Code	Wattage
NGN118R	1*18 W
NGN218R	2*18 W
NGN318R	3*18 W
NGN418R	4*18 W

● *NGN-CLTK SERIES*

Code	Wattage
NGN-118 CLTK	1*18 W
NGN-218 CLTK	2*18 W
NGN-318 CLTK	3*18 W
NGN-418 CLTK	4*18 W

● *NGN-ACTD SERIES*

Code	Wattage
NGN-118 ACTD	1*18 W
NGN-218 ACTD	2*18 W
NGN-318 ACTD	3*18 W
NGN-418 ACTD	4*18 W



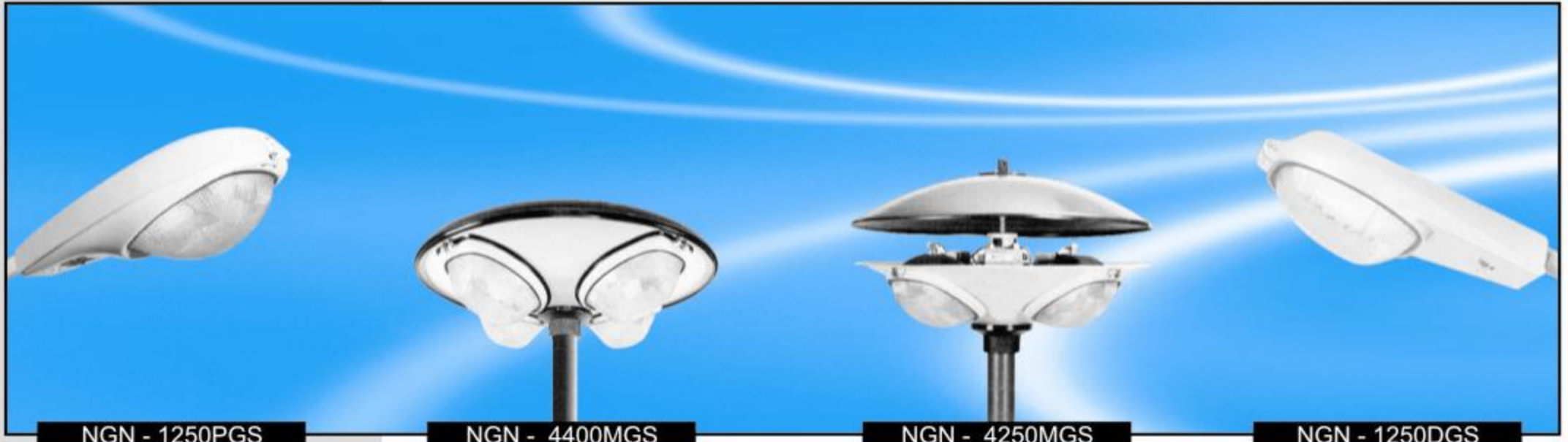
- The body made from Die-cast aluminium
- Painting of the body is done with Electrostatic method (powder paint) and is fixed in high temperature. So , it has fully resistance against climatic Conditions and stroke.
- Equipped with a special aluminium reflector (polished & hard anodized)
- Glass partitions & its body is insulated with a special spongy silicon washer so that has fully resistance against high temperature & ultra-violet rays (UV) of sun and bulb lights and inhibits the influence of humidity and dust to the reflector.
- Equipped with the standard Prismatic glass & heat & heating shoks resistant .
- It is fully economical because it has high illumination, low consumption and longevity of useful life of the bulb .
- Easy installation and facility in bulb replacement .

### Example of Use

- Inside & Outside Places
- Sport Establishments
- Street
- Highway



# STREET LIGHTING FITTING

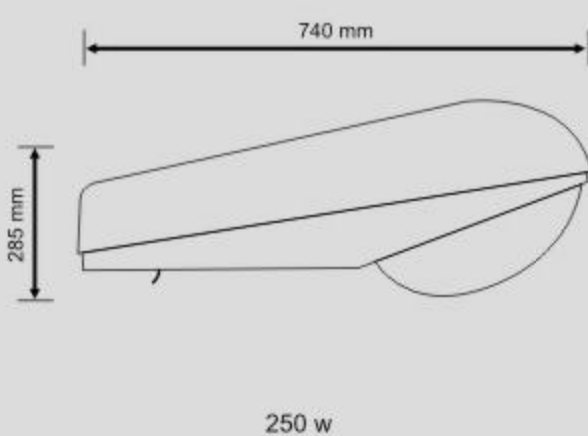
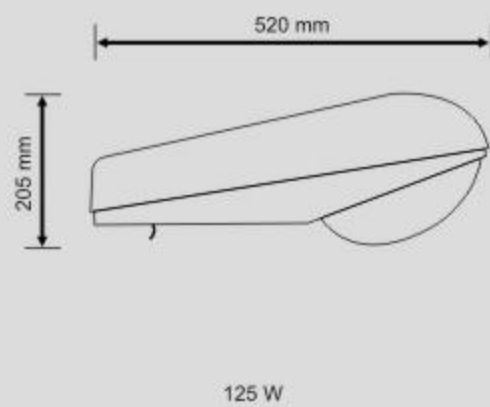
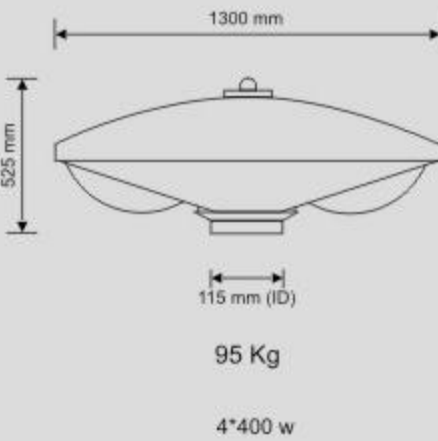
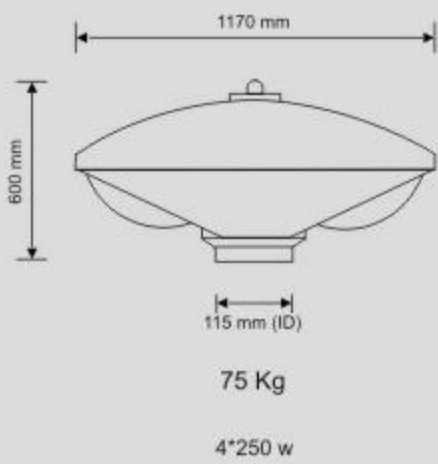


NGN - 1250PGS

NGN - 4400MGS

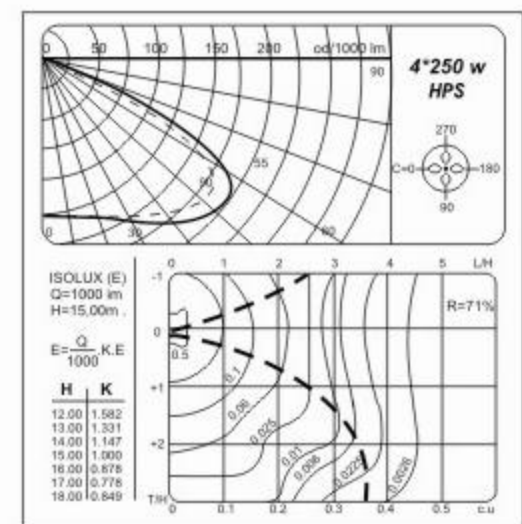
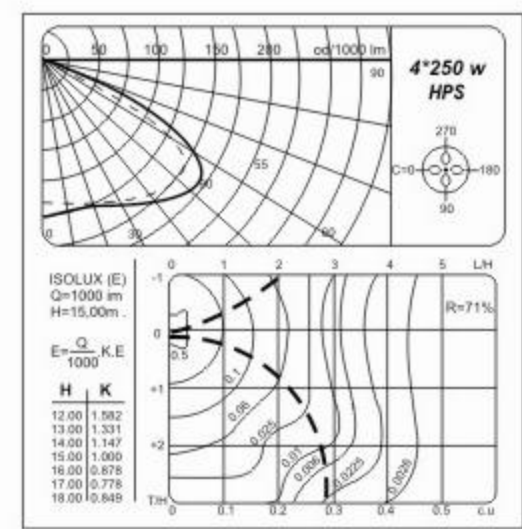
NGN - 4250MGS

NGN - 1250DGS



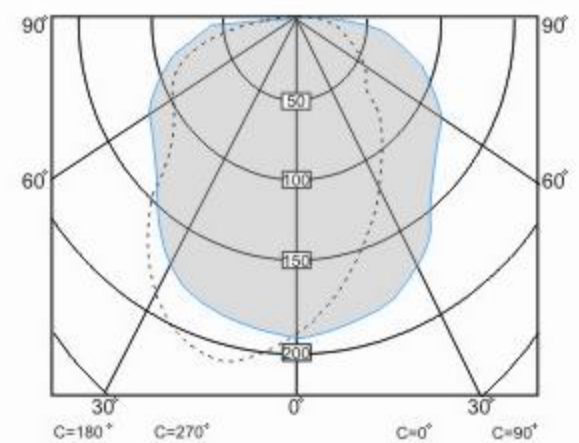
## ● NGN-MGS SERIES

Code	W	holder	lamp	
NGN-4250MGS	4*250W	E40		HST HPM
NGN-5250MGS	5*250W	E40		HST HPM
NGN-6250MGS	6*250W	E40		HST HPM
NGN-7250MGS	7*250W	E40		HST HPM
NGN-4400MGS	4*400W	E40		HST HPM
NGN-5400MGS	5*400W	E40		HST HPM
NGN-6400MGS	6*400W	E40		HST HPM



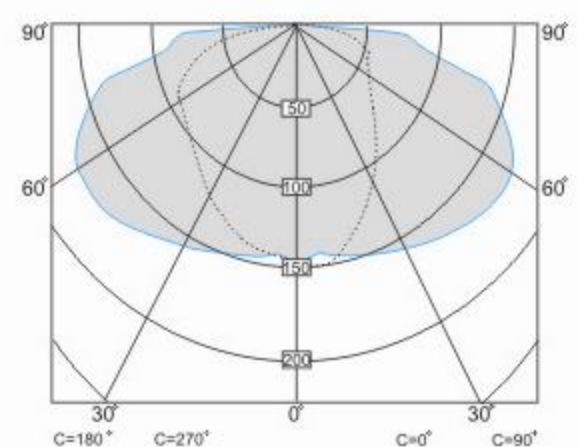
## ● NGN-PGS SERIES

Code	W	holder	lamp	
NGN-1125PGS	125W	E27		HPM
NGN-1250PGS	250W	E40		HST HPM
NGN-1400PGS	400W	E40		HST HPM



## ● NGN-DGS SERIES

Code	W	holder	lamp	
NGN-1125DGS	125W	E27		HPM
NGN-1250DGS	250W	E40		HST HPM
NGN-1400DGS	400W	E40		HST HPM





- The body & box of this projector is made from Die-cast aluminium
- Painting of the body and box is done with Electrostatic method (powder paint) And is fixed in high temperature. So , it has fully resistance against climatic Conditions and stroke.
- Equipped with a special aluminium reflector (polished & hard anodized) which has been made in Germany & resists against high reflections in polluted air and acid vapour, and would not be oxidized or blackish .
- Glass partitions & its body is insulated with a special spongy silicon washer so that has fully resistance against high temperature & ultra-violet rays (UV) of sun and bulb lights and inhibits the influence of humidity and dust to the reflector.
- The box & its related door are insulated with a fireproof silicon washer which is jointed to the body with a screw.
- Equipped with the standard security glass & heat & heating shoks resistant .
- Designing style of the body, production process & insulation of the projector are so that – based on experiments – classifies this product in IP-66 security class and is suitable for covered and uncovered places such as :  
Airport , stadiums , garrisons , production saloons and so on .
- It is fully economical because it has high illumination, low consumption and longevity of useful life of the bulb .
- Easy installation and facility in bulb replacement .

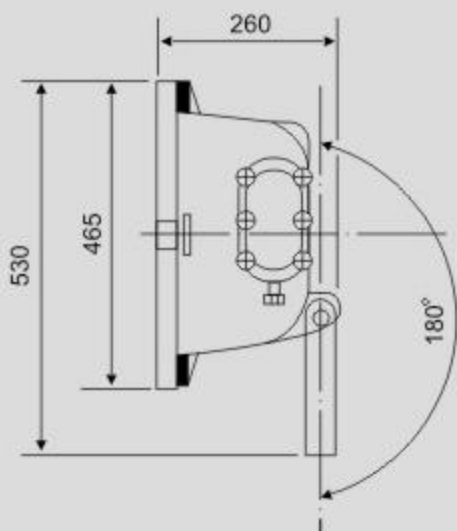
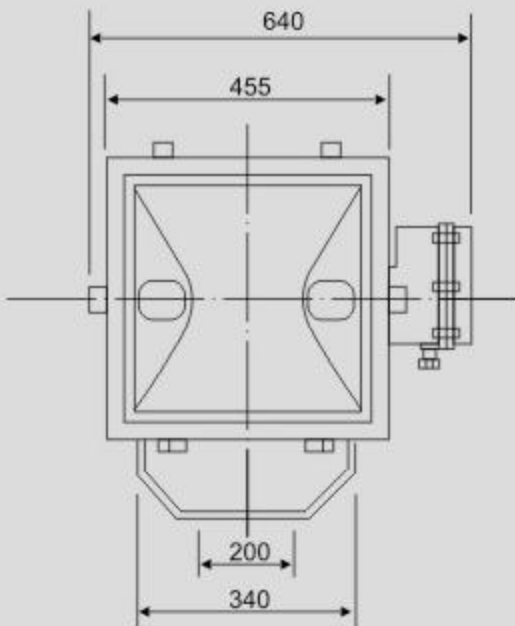




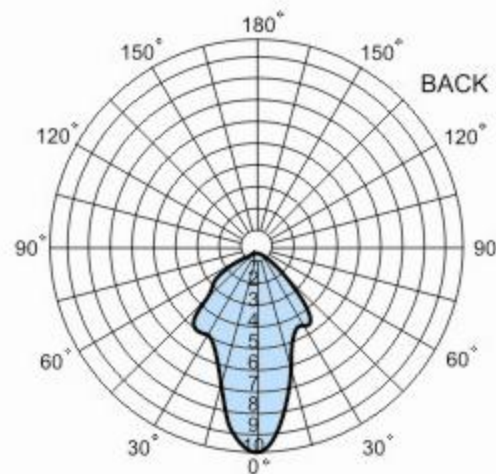
NGN-7770GP

**Na.** : It is suitable for illumination of open and broad spaces such as : great squares , broad parking , airports , broad spaces beside saloons illumination of broad military places and so on . it is also suitable in combination with Metal Highlight bulbs for illumination of broad sport places (covered and uncovered) and indirect illumination in smaller saloons. Suitable height for installation : between 16 to 22 meters.

**MH.** : It is suitable for illumination of open and broad places such as : Great squares , broad parking of airport , broad spaces beside buildings , saloons and broad military spaces and so on . With respect to color coefficient index , it can also be used for indirect illumination in saloons and so on . Suitable height for installation : between 14 to 20 meters .

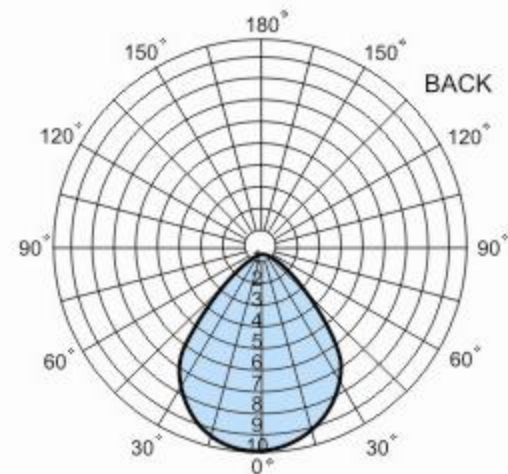


Na.



**Vertical**

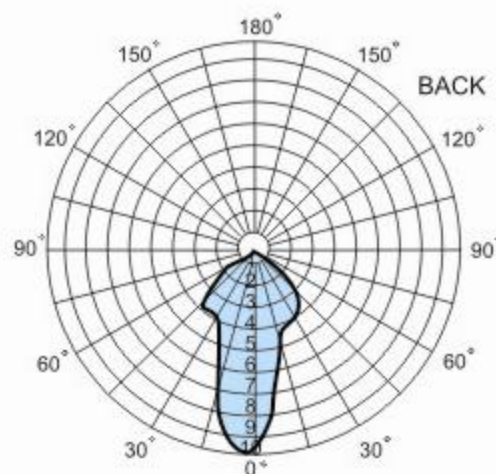
COEFFICIENT (cd)=2522



**Horizontal**

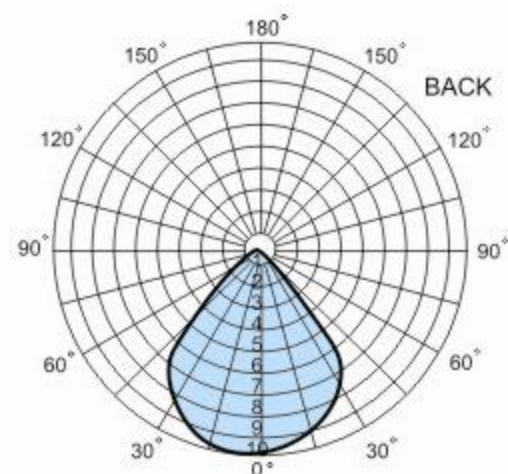
COEFFICIENT (cd)=2587

MH.



**Vertical**

COEFFICIENT (cd)=2574



**Horizontal**

COEFFICIENT (cd)=2561



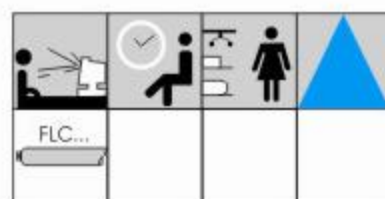
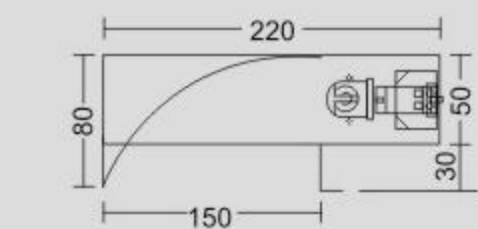
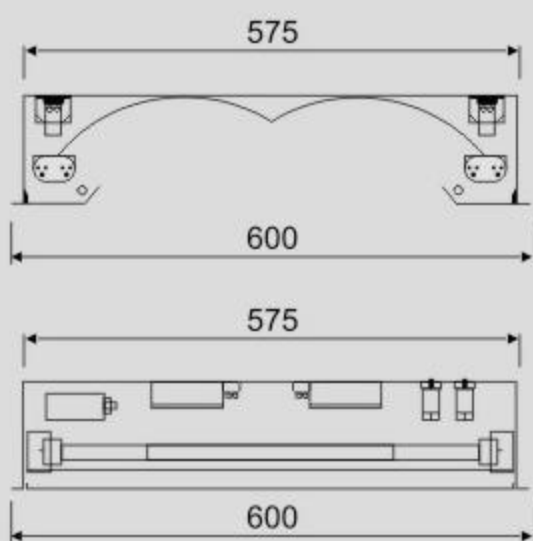
# INDIRECT LIGHTING FIXTURES



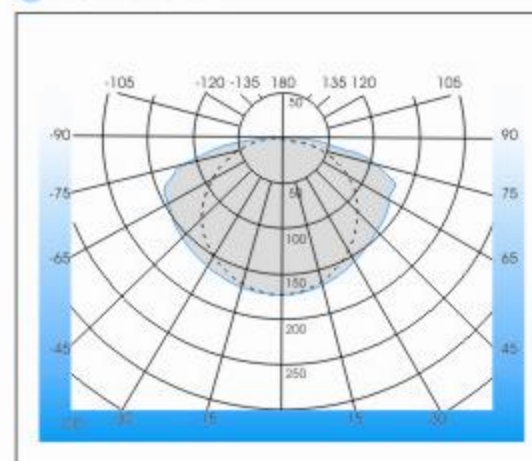
NGN-140NT

NGN-218NET

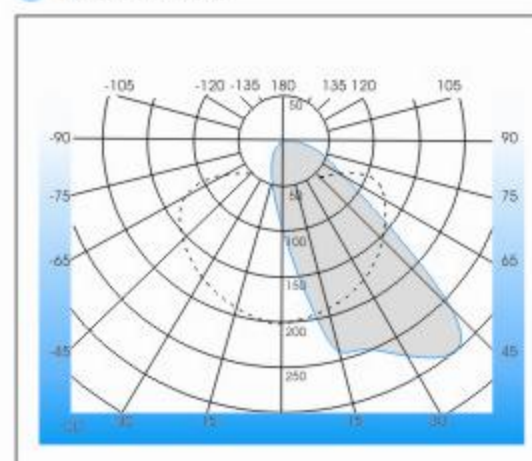
- **Housing:** In sheet steel.
- **Reflector:** In anodised aluminium or white steel sheet.
- **Painting:** Powder paint after degreasing and phosphatizing.
- **Electrical equipment:** All standard, (according to the consumer's order ) domestic or imported.
- **Other version:** With electronic ballast.
- **On request:** Maintained version. In the event of a blackout, one lamp connected to the emergency circuit remains on.
- **Lamps:** supplied with energy saving or fluorescent lamps.



● NGN-218NET



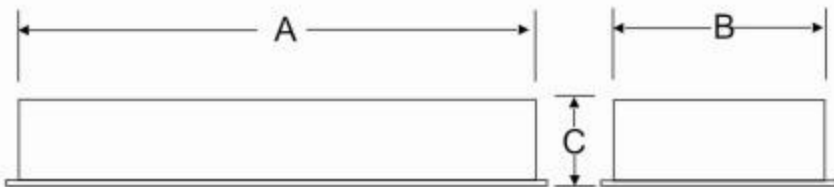
● NGN-140NT



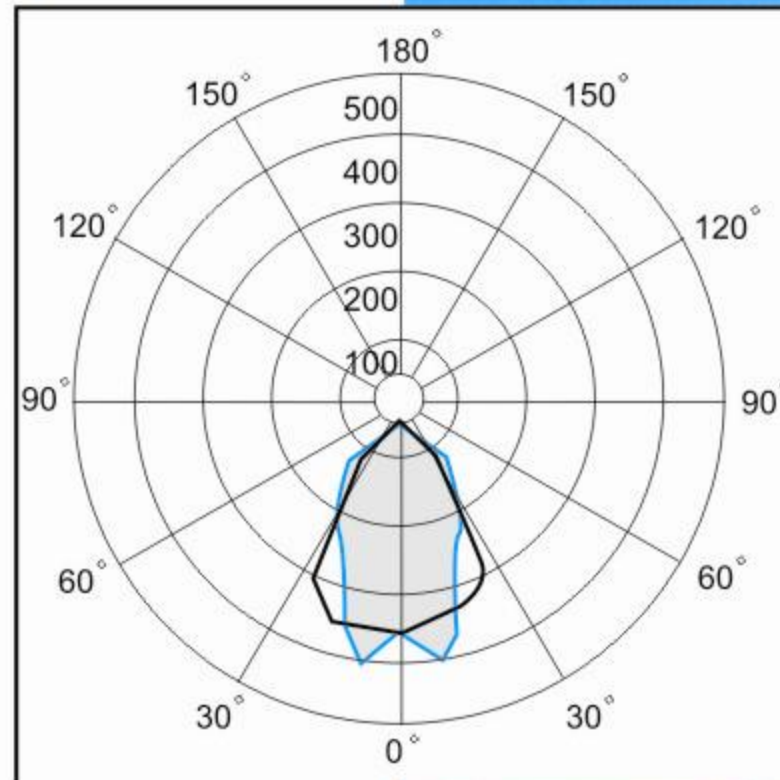


**PST/E IP65 SERIES**

- BODY:** Pressed steel sheet body. Thermohardening polyurethane powders, stabilized and UV protected, proceeded by washing and phospho-cleaning of the surfaces. A frame provides safe fixing of the gear tray and louvre and facilities for lamps replacement. The gear tray can be removed during fixing of the luminaire body the allow quick and easy installation.
- OPTIC:** Made of pure aluminium 99,85% polished and anodized to optimize the output of modern tubular discharge lamps. Symmetric beam. Thick glass included for lamp protection, tempered, heat resistant. IP41 and IP65 available.



● *PST/E 250w*



LOW BAY						
Reference	W.	Lamp.	Length A	Width B	High C	Lampholder
PST/E-IP41/IP65-150	150	HPS	520	356	190	E-40
PST/E-IP41/IP65-150	250	VM	520	356	190	E-40
PST/E-IP41/IP65-150	400	VM	520	356	190	E-40
PST/E-IP41/IP65-150	250	HPS	520	356	190	E-40
PST/E-IP41/IP65-150	400	HPS	520	356	190	E-40
PST/E-IP41/IP65-150	250	HIT	520	356	190	E-40
PST/E-IP41/IP65-150	400	HIT	520	356	190	E-40

# RECESSED FLOOD LIGHTS

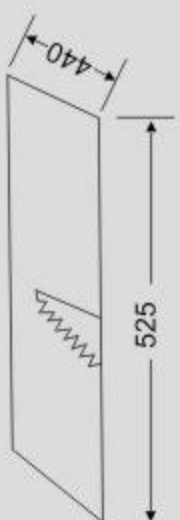
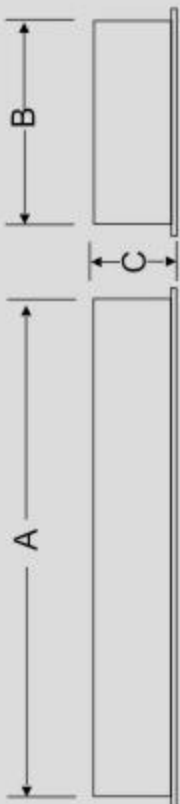


PST/G IP 41

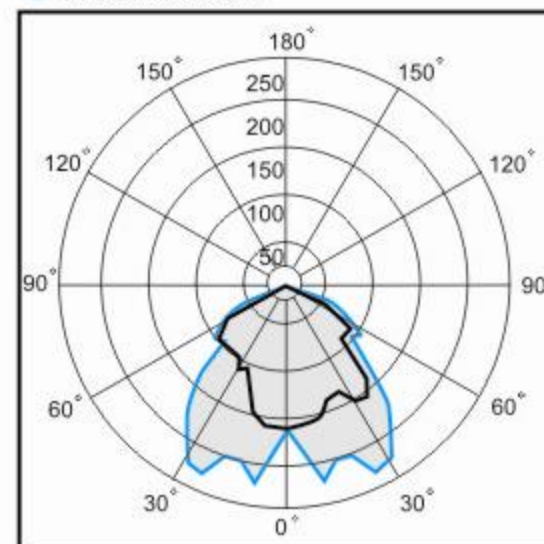
PST/G IP 65

## PST/G IP41 SERIES PST/G IP65 SERIES

- BODY:** Pressed steel sheet body.  
 Thermohardening polyurethane powders, stabilized and UV protected, proceeded by washing and phospho-cleaning of the surfaces. A frame provides safe fixing of the gear tray and louvre and facilities for lamps replacement.  
 The gear tray can be removed during fixing of the luminaire body the allow quick and easy installation.
- OPTIC:** Made of pure aluminium 99,85% polished and anodized to optimize the output of modern tubular discharge lamps.  
 Symmetric beam.  
 Thick glass included for lamp protection, tempered, heat resistant.  
 IP41 and IP65 available.



### PST/G250w

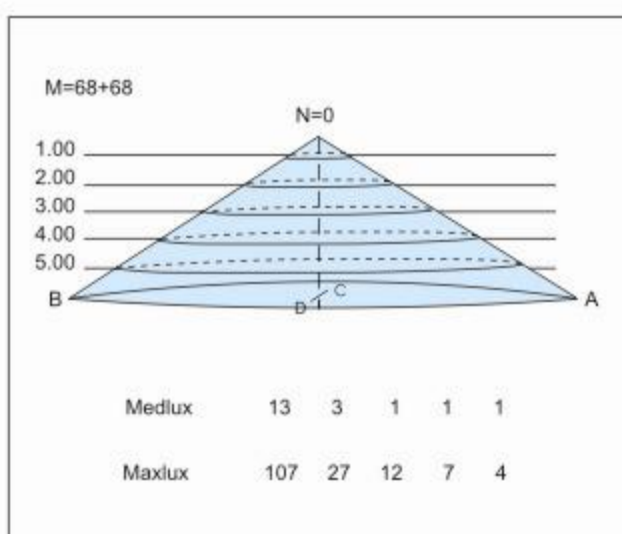
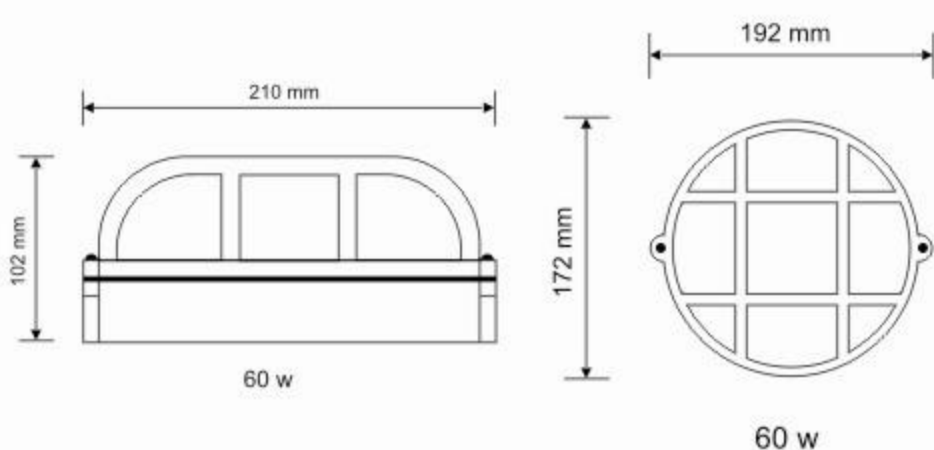
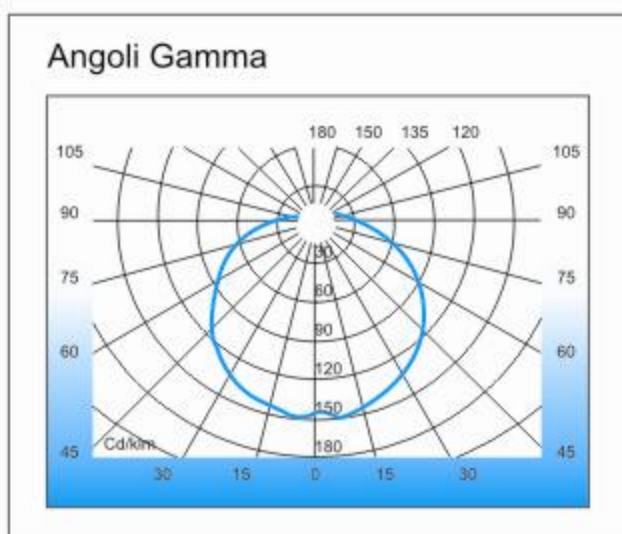


### PST/G SERIES

LOW BAY						
Reference	W.	Lamp.	Length A	Width B	High C	Lampholder
PST/G-IP41/IP65-150	150	HPS	590	450	165	E-40
PST/G-IP41/IP65-250	250	VM	590	450	165	E-40
PST/G-IP41/IP65-400	400	VM	590	450	165	E-40
PST/G-IP41/IP65-250	250	HPS	590	450	165	E-40
PST/G-IP41/IP65-400	400	HPS	590	450	165	E-40
PST/G-IP41/IP65-250	250	HIT	590	450	165	E-40
PST/G-IP41/IP65-400	400	HIT	590	450	165	E-40



- The body made from aluminium
- Painting of the body and box is done with Electrostatic method (powder paint) And is fixed in high temperature. So , it has fully resistance against climatic Conditions and stroke.
- Equipped with a special aluminium reflector (polished & hard anodized)
- Equipped with the standard security glass & heat & heating shoks resistant .
- Easy installation and facility in bulb replacement .

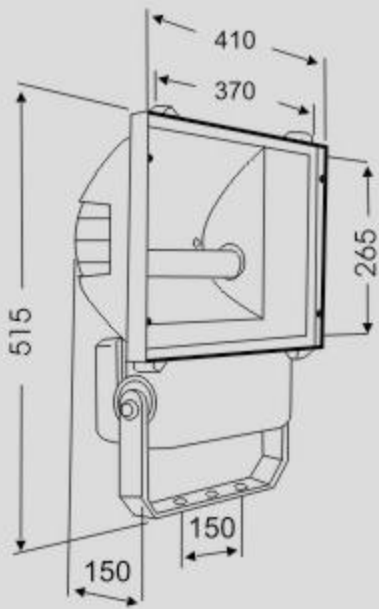
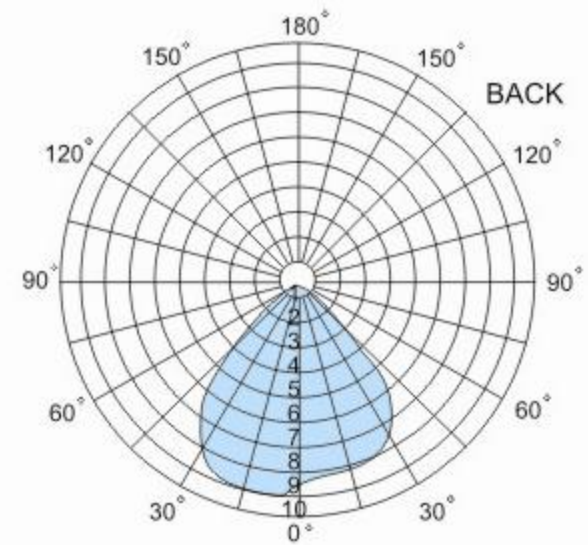
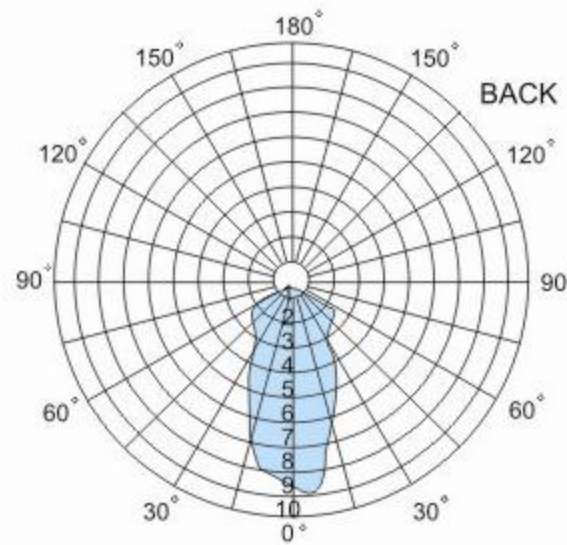




NGN - Flat 250 - 400HPS

## Featuring

- Body & Frame Made in Die - Cast Aluminum
- Thermo Resistant Protection Glass
- Epoxy - Polyester Powder Finishing
- E40, E27 Ceramic Lampholder
- Aluminum Polished Reflector
- Silicone Rubber Sealing Gasket
- Goniometric Device
- Steel Bracket
- IP 55



Code	w	holder	lamp	I*d (mm)
NGN-F125HPM	125W	E27	HPM	170*75
NGN-F250HPS	250W	E40	HST	257*46
NGN-F400HPS	400W	E40	HST	285*46
NGN-F250MS	250W	E40	HPM	226*90
NGN-F400MS	400W	E40	HPM	290*120
NGN-F250HIS	250W	E40	HIT	210*46
NGN-F400HIS	400W	E40	HIT	273*46

## Example of Use

- Inside & Outside Places
- Sport Establishments
- Shop - Window
- Billboards
- Urban Vestment
- Stories

250V~50/60Hz E40 / E27



IP 55



650°



25°



0,16 m<sup>2</sup>



11 kg

Sodium



The first lighting was fabricated and erected about a hundred years ago. Since then, there have been little changes in the basic concept but there have been considerable progress in the design and operation of such tower. Such towers, pylons and stands are designed differently based on the requirements as follows:

- Short cylindrical and polygonal street lighting stands which are used for public location, streets, expressways, and motorways.
- Tall stands or lighting tower with movable or fixed heads which, depending on the area to be lit, least dazzle and proper luminosity will have to be designed based on the specific requirements such as in airports, railway stations, ports, sports grounds, parking lots and generally for open and wide areas.

By utilizing experienced lighting engineers and the latest engineering standards along with a specialist group of designers, this company is capable of designing the necessary systems and fabricating fixed and telescopic towers for lighting, power transmission, telecommunication and lightning arrestors.



NGN-PSLP



● Polygonal Street Lighting Poles

Height (m)	Sections	Types	Weight (Kg+10%)	Top Plate (mm)	Base (cm)	Light Arm (mm)
3	1* ○	NGN 83 K	31.6	200*8	30*50	16/M14*0.35m*4
4	1* ○	NGN 84 K	40.7	200*8	30*50	16/M14*0.35m*4
6	1* ○	NGN 86 K	63.1	200.8	30*50	16/M14*0.35m*4
7.5	2* ○	NGN 875 K2	83.8	250*8	40*60	16/M14*0.35m*4
8.5	2* ○	NGN 885 K2	96.6	300*10	40*80	18/M16*0.45m*4
9	3* ○	NGN 89 K3	106.4	300*10	40*80	18/M16*0.45m*4
10	3* ○	NGN 810 K3	127.7	350*10	45*90	18/M16*0.50m*4
11.5	2* ○	NGN 812 K2	156.9	400*15	60*120	20/M18*0.60m*4
12	3* ○	NGN 812 K3	168.3	400*15	60*120	20/M18*0.60m*4
13	3* ○	NGN 813 K3	212.6	400*15	80*150	20/M18*0.80m*4
14	3* ○	NGN 814 K3	244.9	400*15	80*150	22/M20*0.80m*8
15	3* ○	NGN 815 K3	302.9	400*15	100*160	22/M20*0.80m*8
16	3* ○	NGN 816 K3	349.6	500*15	100*160	28/M24*0.80m*8
17	3* ○	NGN 817 K3	371.5	500*15	120*180	30/M28*1.00m*8

● Cylindrical Street Lighting Poles

Height (m)	Sections	Types	Weight (Kg+10%)	Top Plate (mm)	Base (cm)	Light Arm (mm)
2.8	2* ○	NGN 3 T2	2"+3"	200*8	17.5	16/M14*0.35m*4
3.8	2* ○	NGN 4 T2	2"+3"	200*8	22.7	16/M14*0.35m*4
5.8	2* ○	NGN 6 T2	3"+4"	200.8	60.6	16/M14*0.35m*4
7.75	3* ○	NGN 8 T3	3"+4"+5"	250*8	95.0	16/M14*0.35m*4
8.75	2* ○	NGN 9 T2	3"+4"	300*10	103.5	18/M16*0.45m*4
10	3* ○	NGN 10 T3	3"+4"+5"	300*10	137.9	20/M18*0.50m*4
11.5	3* ○	NGN 12 T3	3"+4"+5"	350*10	150.5	20/M18*0.50m*4
14	4* ○	NGN 14 T4	3"+4"+5"+6"	400*15	221.5	22/M20*0.60m*8
15	4* ○	NGN 15 T4	3"+4"+5"+6"	400*15	248.2	28/M24*0.75m*8

NGN-CSLP



● High Mast Lighting Towers with movable Haed

Height (m)	Sections	Types	Weight (Kg+10%)	Weight (Kg+10%)	Weight (Kg+10%)	Top Plate (mm)	Base (cm)	Light Arm (mm)
12	3* ○	NGN 812 H	180.0		417.0	∅ 500*20	170*80	20/M18*0.60m*8
14	3* ○	NGN 814 H	180.0		517.0	∅ 500*20	170*80	20/M18*0.80m*4
16	4* ○	NGN 816 H	180.0		711.0	∅ 500*20	180*80	22/M20*0.80m*8
18	4* ○	NGN 818 H	180.0		926.0	∅ 500*20	200*100	22/M20*0.80m*8
18	4* ○	NGN 1218 E		300.0	1137.0	∅ 600*25	200*100	28/M24*0.80m*12
20	4* ○	NGN 1220 E		400.0	1360.0	∅ 600*25	250*120	30/M28*0.00m*12
22	5* ○	NGN 1222 E		400.0	1635.0	∅ 700*25	300*150	30/M28*0.00m*12
25	5* ○	NGN 1225 E		500.0	1800.0	∅ 700*25	300*150	30/M28*0.00m*12
27	6* ○	NGN 1227 E		800.0	2567.0	∅ 900*30	300*180	33/M30*0.50m*12
30	6* ○	NGN 1230 E		800.0	2275.0	∅ 900*30	350*180	33/M30*0.50m*12

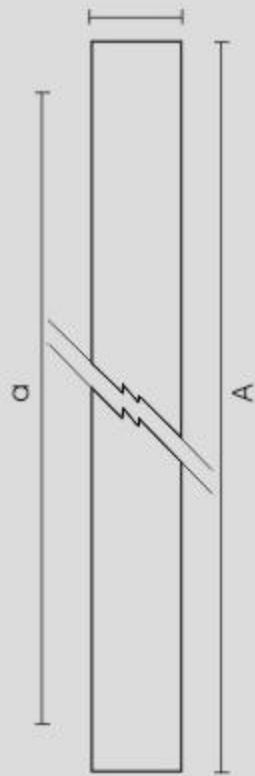
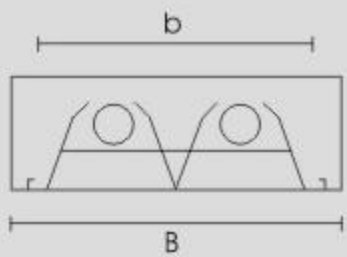
NGN-HMLT



○ Tubular      ○ Octagonal-conical      ○ 12 side

North, NE, NW: 72 km/h    Central, E, W: 130 km/h    South, SE, SW: 160 km/h

# SURFACE MOUNTING LOUVRED FLUORESCENT LIGHTS



## ● NGN - SR SERIES

Code	Wattage	Weight(kg)	Dimensions(mm)				
			A	a	B	b	h
NGN140SR	1*36W	3.7	1250	-	170	-	70
NGN240SR	2*36W	6.3	1250	-	280	-	70
NGN340SR	3*36W	9.2	1250	-	390	-	70
NGN440SR	4*36W	12	1250	-	500	-	70
NGN120SR	1*18W	2.6	630	-	170	-	70
NGN220SR	2*18W	4.8	630	-	280	-	70
NGN320SR	3*18W	6.5	630	-	390	-	70
NGN420SR	4*18W	8.5	630	-	600	-	70

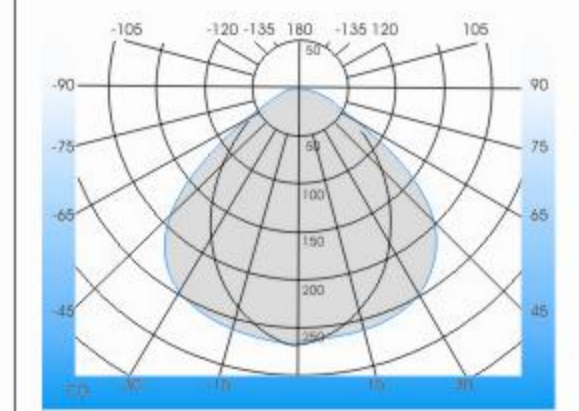


## ● NGN - MR SERIES

Code	Wattage	Weight(kg)	Dimensions(mm)				
			A	a	B	h1	h2
NGN220MR	2*18W	3.0	625	-	175	65	93
NGN240MR	2*36W	5.0	1235	-	175	65	93
NGN340MR	3*36W	8.1	1440	-	255	65	93

## NGN - 420SR

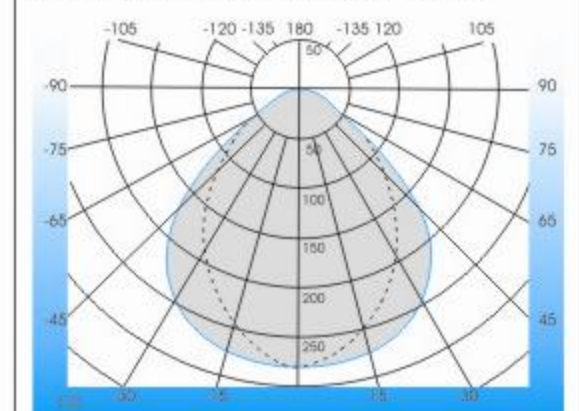
Classification CIE 62 90 98 100 69  
4\*18W Lor 68,5% - Index LIGHT A41 - class BZ:BZ3



CEILING	70	80	80	50	50	80	80	80	50	50	30	0
WALLS	50	50	30	50	30	80	50	30	50	30	30	0
WORK_PL.	20	30	30	30	30	10	10	10	10	10	10	0
INDEX	UTILISATION FACTORS IN%											
0.6	33	34	28	32	27	47	32	27	31	27	26	22
0.8	41	43	37	41	36	54	41	35	39	35	34	30
1.0	47	49	43	47	41	58	46	41	44	40	39	35
1.25	53	57	50	53	48	62	52	47	50	46	46	41
1.5	58	62	58	58	43	65	56	52	54	51	50	46
2.0	63	68	62	63	59	67	60	57	58	55	54	51
2.5	66	72	67	67	63	69	64	61	62	59	58	55
3.0	69	76	71	70	67	71	66	64	64	62	61	58
4.0	72	79	73	72	70	72	68	66	66	64	63	60
5.0	74	81	78	74	72	73	70	68	68	66	65	62

## NGN-240MR

Classification CIE 93 91 98 100 55  
2\*36W Lor 55,2% - Index LIGHT A51 - class BZ:BZ2;0,8/BZ3

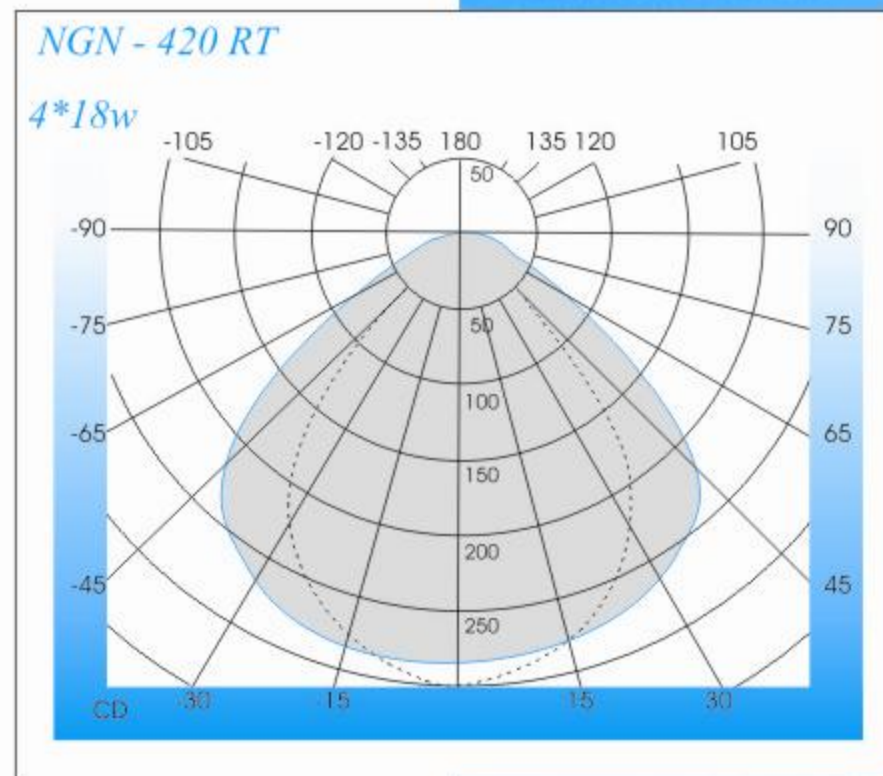
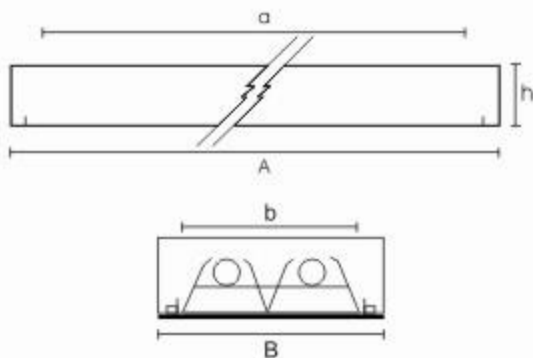
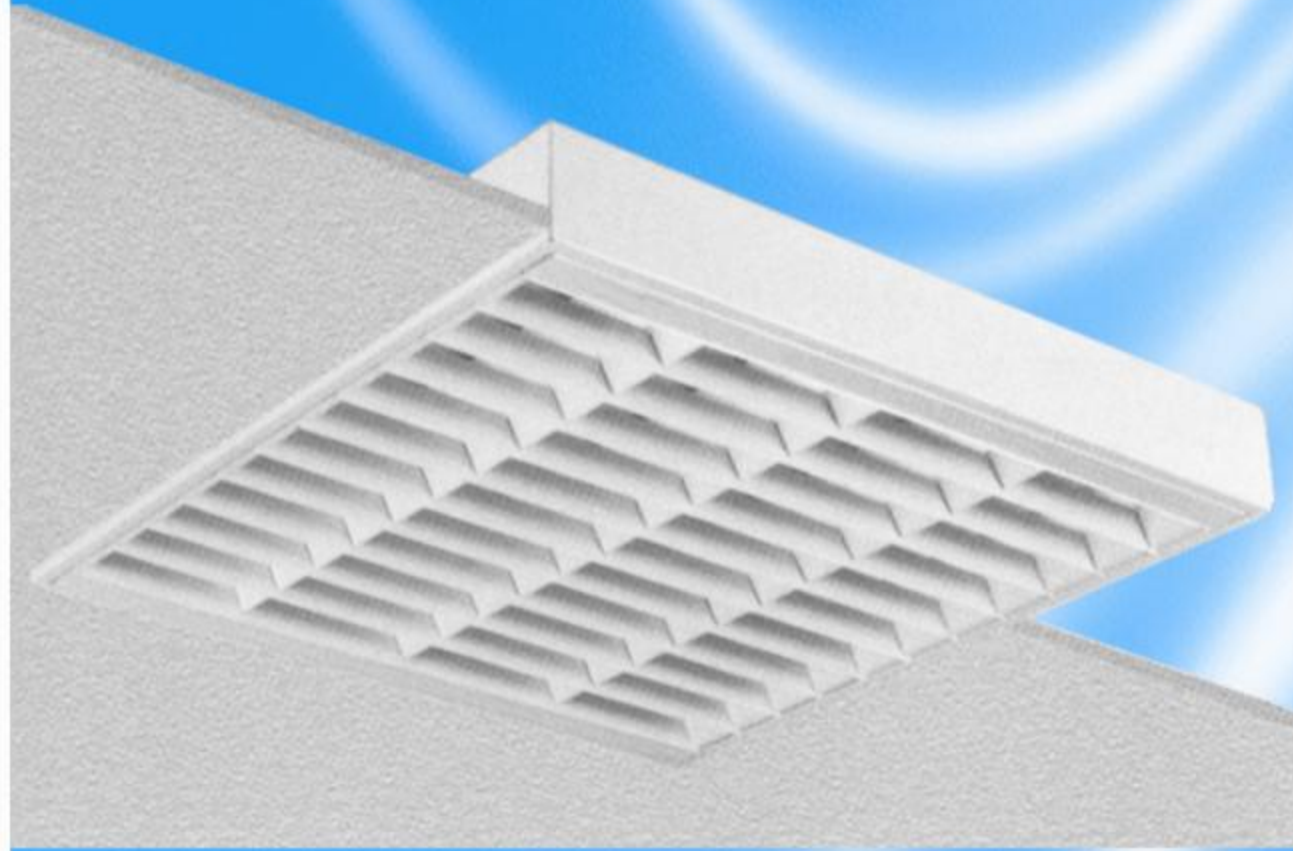


CEILING	70	80	80	50	50	80	80	80	50	50	30	0
WALLS	50	50	30	50	30	80	50	30	50	30	30	0
WORK_PL.	20	30	30	30	30	10	10	10	10	10	10	0
INDEX	UTILISATION FACTORS IN%											
0.6	28	30	25	28	24	40	28	24	27	23	22	20
0.8	35	37	32	35	31	45	35	31	34	30	30	26
1.0	40	42	37	40	36	49	39	35	38	34	34	30
1.25	45	48	43	45	41	52	44	40	43	40	39	36
1.5	49	52	47	49	45	54	47	44	46	45	42	39
2.0	53	57	53	53	50	56	51	48	49	47	46	43
2.5	56	61	57	56	53	58	53	51	52	50	49	48
3.0	58	63	60	58	56	59	55	53	54	52	51	49
4.0	60	66	63	60	58	60	57	56	55	54	53	50
5.0	61	68	65	62	60	61	58	57	56	55	54	52





- **Housing:** In sheet steel or aluminum.
- **Optics:** Parabolic Louvre, in Sheet Steel
- **Painting :** Powder paint after degreasing and phosphatizing
- **Electrical equipment:** All standard ,( according to the consumer`s order) domestic or imported.
- **Other version:** With electronic ballast
- **On request:** Maintained version. In the event of a blackout, one lamp connected to the emergency circuit remains on.
- **Installation:** In different designs to be used in all kinds of suspended ceilings ( Armstrong, Knauf, dampa, Rabbits, Fiberglass, Plaster Panel and ...)

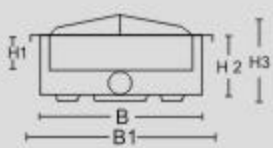
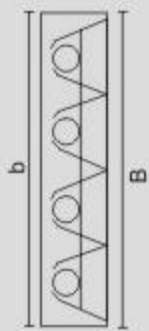
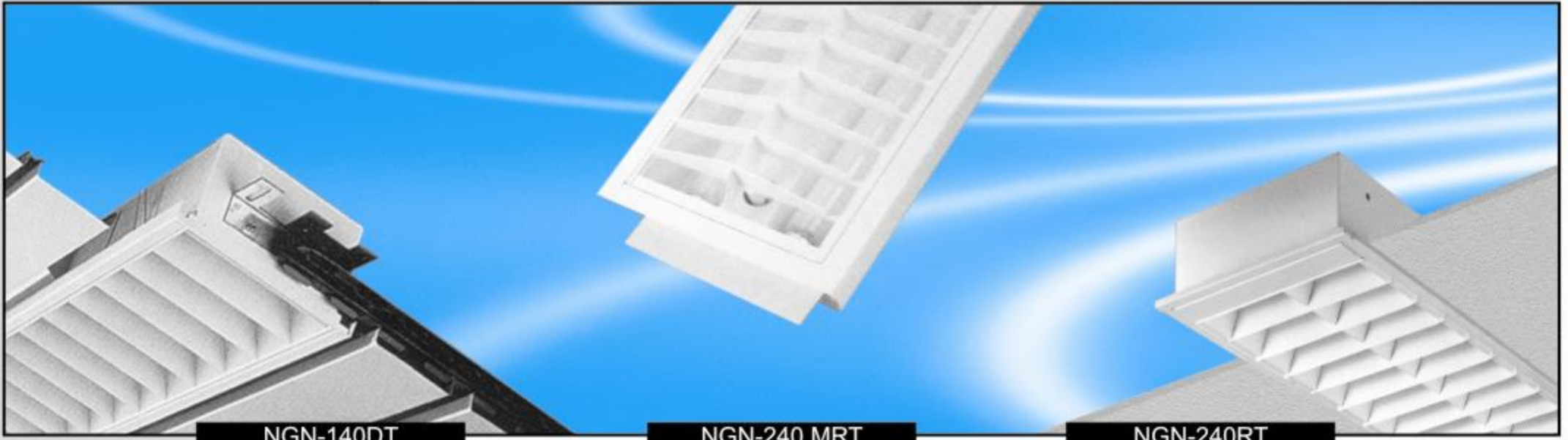


● **NGN - RT SERIES**

Code	Wattage	Weight(kg)	Dimensions(mm)				
			A	a	B	b	h
NGN140RT	1*36W	3.5	1265	1230	180	136	70
NGN240RT	2*36W	5.5	1265	1230	290	246	70
NGN340RT	3*36W	8.2	1265	1230	400	356	70
NGN440RT	4*36W	10.9	1265	1230	510	466	70
NGN120RT	1*18W	2.2	655	620	180	136	70
NGN220RT	2*18W	4	655	620	290	246	70
NGN320RT	3*18W	5.6	655	620	400	356	70
NGN420RT	4*18W	7.6	655	620	635	590	70

CEILING WALLS WORK.PL. INDEX	UTILISATION FACTORS IN%											
	70	80	80	50	50	80	80	80	50	50	30	0
0.6	33	34	28	32	27	47	32	27	31	27	26	22
0.8	41	43	37	41	36	54	41	35	39	35	34	30
1.0	47	49	43	47	41	58	46	41	44	40	39	35
1.25	53	57	50	53	48	62	52	47	50	46	46	41
1.5	58	62	58	58	43	65	56	52	54	51	50	46
2.0	63	68	62	63	59	67	60	57	58	55	54	51
2.5	66	72	67	67	63	69	64	61	62	59	58	55
3.0	69	76	71	70	67	71	66	64	64	62	61	58
4.0	72	79	73	72	70	72	68	66	66	64	63	60
5.0	74	81	78	74	72	73	70	68	68	66	65	62

# RECESSED LOUVRED FLUORESCENT LIGHTS



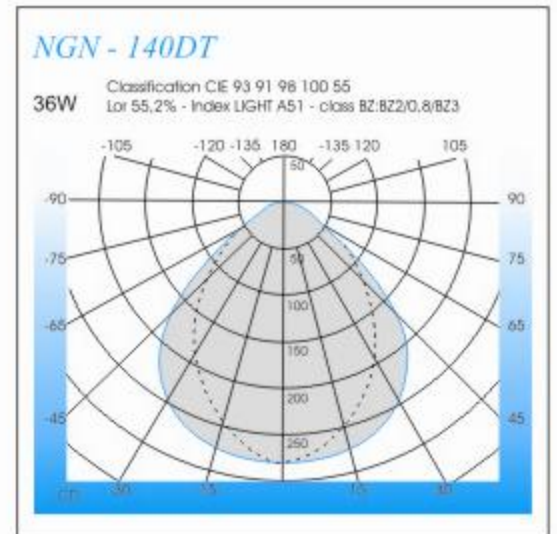
## DAMPA - NGN - DT SERIES

Code	Wattage	Weight(kg)	Dimensions(mm)				
			A	a	B	b	h
NGN140DT	1*36W	3.3	1265	1230	108	91	85
NGN240DT	2*36W	5.1	1265	1230	208	191	85
NGN340DT	3*36W	7.4	1265	1230	308	291	85
NGN440DT	4*36W	9.5	1265	1230	408	391	85
NGN120DT	1*18W	2.1	655	620	108	91	85
NGN220DT	2*18W	3.8	655	620	208	191	85
NGN320DT	3*18W	5.3	655	620	308	291	85
NGN420DT	4*18W	6.8	655	620	608	591	85

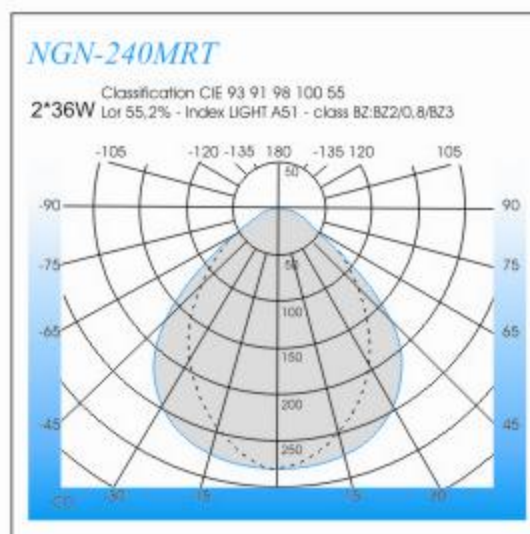


## NGN - MRT SERIES

Code	Wattage	Weight(kg)	Dimensions(mm)							
			A	A1	A2	h1	h2	h3	B	B1
NGN220MRT	2*18W	3.0	625	685	660	40	65	93	175	210
NGN240MRT	2*36W	5.0	1235	1295	1270	40	65	93	175	210
NGN340MRT	3*36W	8.1	1440	1510	1490	40	65	93	255	305



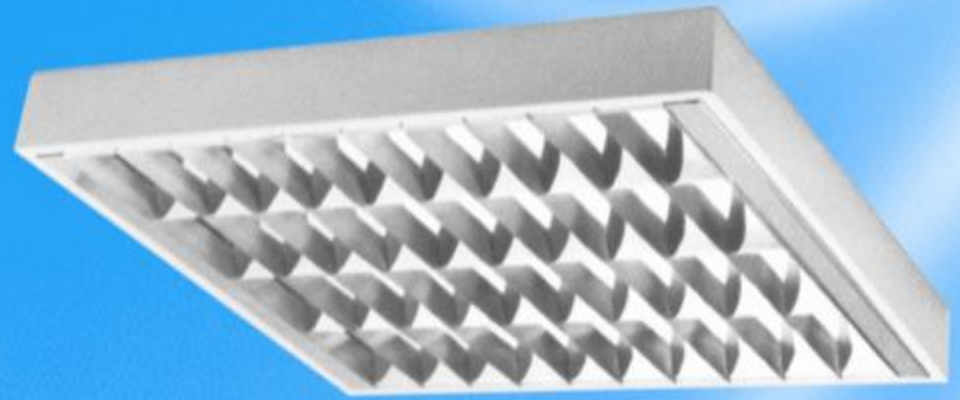
CEILING WALLS WORK.PL. INDEX	UTILISATION FACTORS IN%											
	70	80	80	50	50	80	80	80	50	50	30	0
0.6	27	28	24	27	23	38	27	23	26	23	22	19
0.8	34	36	31	34	30	43	33	29	32	29	29	25
1.0	38	40	36	38	34	47	38	34	36	33	33	29
1.25	43	46	41	43	40	50	42	39	41	38	37	34
1.5	47	50	45	47	43	52	45	42	44	41	41	38
2.0	50	54	50	51	48	54	49	46	47	45	44	41
2.5	53	58	54	53	51	55	51	49	49	48	47	44
3.0	55	60	57	56	53	56	53	51	51	50	49	47
4.0	57	63	60	58	56	57	54	53	53	51	51	48
5.0	59	65	62	59	57	58	56	54	54	53	52	50



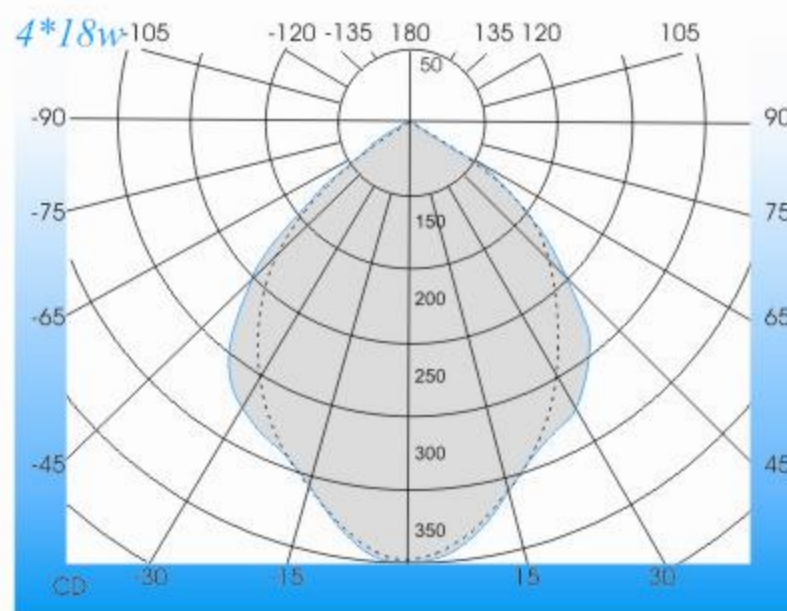
CEILING WALLS WORK.PL. INDEX	UTILISATION FACTORS IN%											
	70	80	80	50	50	80	80	80	50	50	30	0
0.6	28	30	25	28	24	40	28	24	27	23	22	20
0.8	35	37	32	35	31	45	35	21	34	30	30	26
1.0	40	42	37	40	36	49	39	35	38	34	34	30
1.25	45	48	43	45	41	52	44	40	43	40	39	36
1.5	49	52	47	49	45	54	47	44	46	45	42	39
2.0	53	57	53	53	50	56	51	48	49	47	46	43
2.5	56	61	57	56	53	58	53	51	52	50	49	46
3.0	58	63	60	58	56	59	55	53	54	52	51	49
4.0	60	66	63	60	58	60	57	56	55	54	53	50
5.0	61	68	65	62	60	61	58	57	56	55	54	52



- **Housing:** In sheet steel or aluminum.
- **Optics:** Parabolic Louvre, in: High-glass anti- reflection and anti - iridescence aluminium . Matt anodised 2 $\mu$  thick aluminium
- **Painting :** Powder paint after degreasing and phosphatizing
- **Electrical equipment:** All standard ,( according to the consumer`s order) domestic or imported.
- **Other version:** With electronic ballast
- **On request:** Maintained version. In the event of a blackout.



*NGN - 420 SAR*



CEILING	70	80	80	50	50	80	80	80	50	50	30	0
WALLS	50	50	30	50	30	80	50	30	50	30	30	0
WORK.PL.	20	30	30	30	30	10	10	10	10	10	10	0
INDEX	UTILISATION FACTORS IN%											
.6	33	34	29	33	28	45	32	28	31	27	27	23
.8	41	43	37	40	36	51	40	36	39	35	35	31
1.0	46	48	43	46	41	54	45	41	43	40	39	36
1.25	51	55	50	51	47	58	50	47	52	45	45	41
1.5	55	59	54	55	51	60	53	50	52	49	48	45
2.0	59	64	59	59	56	62	57	54	55	53	52	49
2.5	62	67	64	62	59	64	59	57	57	56	55	52
3.0	64	70	67	65	62	65	61	60	59	58	57	54
4.0	66	73	70	66	64	66	63	61	61	59	58	56
5.0	68	75	72	68	66	66	64	63	62	61	60	57

# SURFACE MOUNTING LOUVRED FLUORESCENT LIGHTS



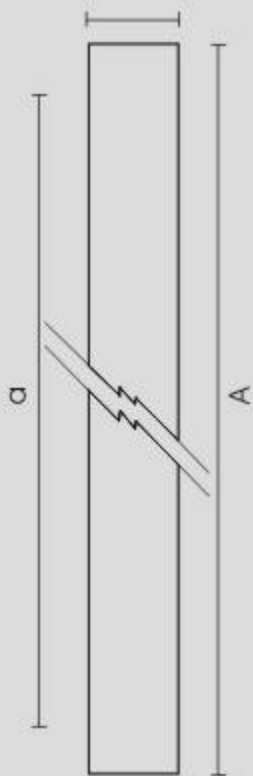
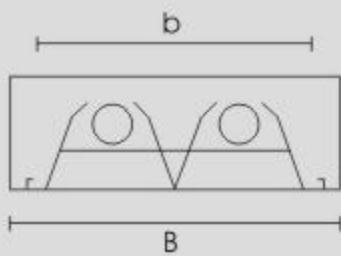
NGN-240SAR

NGN-240SACL

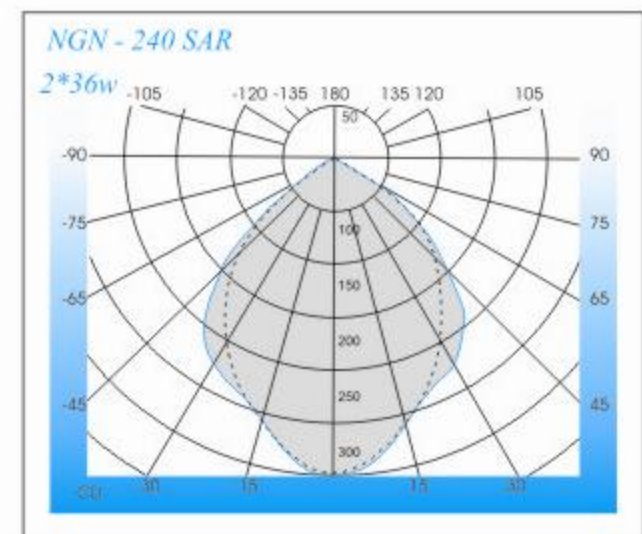


## ● NGN - SAR SERIES

Code	Wattage	Weight(kg)	Dimensions(mm)				
			A	a	B	b	h
NGN140SAR	1*36W	2.9	1250	-	170	-	70
NGN240SAR	2*36W	5.2	1250	-	280	-	70
NGN340SAR	3*36W	7.7	1250	-	390	-	70
NGN440SAR	4*36W	10.1	1250	-	500	-	70
NGN120SAR	1*18W	2.1	630	-	170	-	70
NGN220SAR	2*18W	4.1	630	-	280	-	70
NGN320SAR	3*18W	5.4	630	-	390	-	70
NGN420SAR	4*18W	6.6	630	-	630	-	70



CEILING	70	80	80	50	50	80	80	80	50	50	30	0
WALLS	50	50	30	50	30	80	50	30	50	30	30	0
WORK.PL.	20	30	30	30	30	10	10	10	10	10	10	0
INDEX	UTILISATION FACTORS IN%											
.6	30	31	27	30	26	41	30	26	29	25	25	22
.8	37	39	34	37	33	46	37	33	35	32	32	28
1.0	42	44	39	42	38	49	41	37	40	36	36	33
1.25	47	50	45	47	43	52	46	42	44	42	41	38
1.5	50	53	49	50	47	54	49	46	47	45	44	41
2.0	54	58	54	54	51	56	52	49	50	48	47	44
2.5	56	61	58	56	54	58	54	52	52	50	50	47
3.0	58	64	61	59	56	59	56	54	54	53	52	49
4.0	60	66	63	60	58	59	57	56	55	54	53	50
5.0	61	68	65	61	60	60	58	57	56	55	54	52

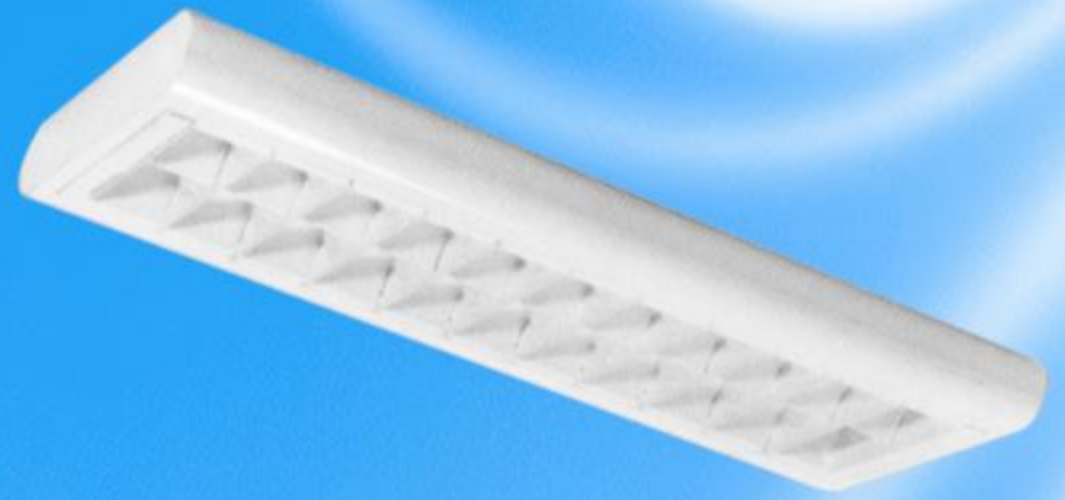


## ● NGN - SACL SERIES

Code	Wattage	Weight(kg)	Dimensions(mm)				
			A	a	B	b	h
NGN140SACL	1*40W	3.1	1250	-	177	-	52
NGN240SACL	2*40W	4.5	1250	-	262	-	52
NGN340SACL	3*40W	6	1250	-	347	-	52
NGN440SACL	4*40W	7.7	1250	-	432	-	52
NGN120SACL	1*20W	2.1	650	-	177	-	52
NGN220SACL	2*20W	2.9	650	-	262	-	52
NGN320SACL	3*20W	4.1	650	-	347	-	52
NGN420SACL	4*20W	6.2	650	-	432	-	52

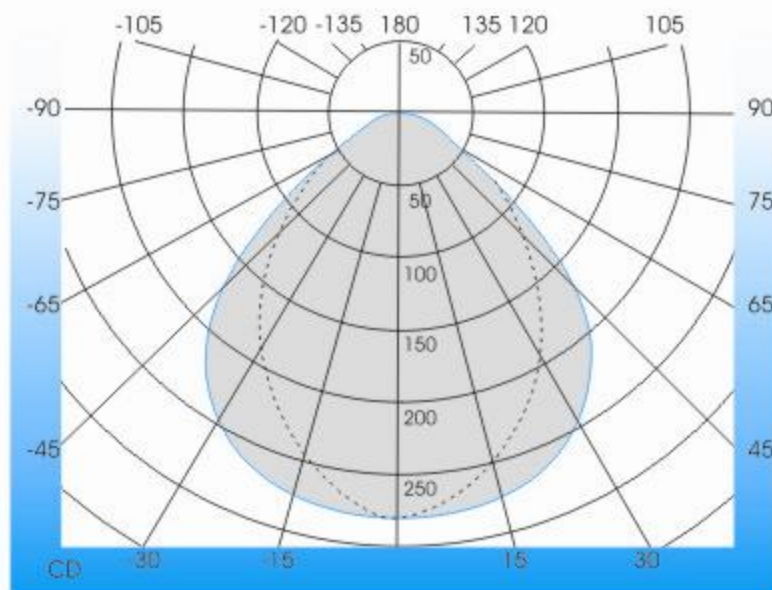


- **Housing** : In sheet steel or aluminum
- **Optics** : Parabolic louvre , in sheet steel
- **Painting** : Powder paint after degreasing and phosphatizing
- **Electrical equipment** : All standard , (according to the consumer's order) domestic Or imported
- **Other version** : With electronic ballast
- **On request** : Maintained version .In the event of a blackout



**NGN - 240SCL**

Classification CIE 93 91 98 100 55  
**2\*36W** Lor 55,2% - Index LIGHT A51 - class BZ:BZ2/0,8/BZ3



● **NGN - SCL SERIES**

Code	Wattage	Weight(kg)	Dimensions(mm)				
			A	a	B	b	h
NGN 140SCL	1*36W	3.5	1250	-	177	-	52
NGN 240SCL	2*36W	5.5	1250	-	262	-	52
NGN 340SCL	3*36W	7.4	1250	-	347	-	52
NGN 440SCL	4*36W	9.3	1250	-	432	-	52
NGN 120SCL	1*18W	2.6	650	-	177	-	52
NGN 220SCL	2*18W	3.7	650	-	262	-	52
NGN 320SCL	3*18W	5.7	650	-	347	-	52
NGN 420SCL	4*18W	7.7	650	-	432	-	52

CEILING WALLS WORK.PL. INDEX	UTILISATION FACTORS IN%											
	70	80	80	50	50	80	80	80	50	50	30	0
.6	28	30	25	28	24	40	28	24	27	23	22	20
.8	35	37	32	35	31	45	35	21	34	30	30	26
1.0	40	42	37	40	36	49	39	35	38	34	34	30
1.25	45	48	43	45	41	52	44	40	43	40	39	36
1.5	49	52	47	49	45	54	47	44	46	45	42	39
2.0	53	57	53	53	50	56	51	48	49	47	46	43
2.5	56	61	57	56	53	58	53	51	52	50	49	46
3.0	58	63	60	58	56	59	55	53	54	52	51	49
4.0	60	66	63	60	58	60	57	56	55	54	53	50
5.0	61	68	65	62	60	61	58	57	56	55	54	52



# FHF

FUNKE+HUSTER.FERNSIG

## Signalling Devices and Communications Equipment

- **ACOUSTIC SIGNALLING DEVICES**  
Weather-proof acoustic signalling devices  
Explosion-proof acoustic signalling devices
- **OPTICAL-ACOUSTIC SIG. DEVICES**  
Weather-proof Optical-Acoustic Signalling Devices
- **OPTICAL SIGNALLING DEVICES**  
Weather-proof Optical Signalling Devices  
Explosion-proof Optical signalling Devices
- **Telephone**  
Weather-proof telephone  
Explosion-proof telephone  
telephone for seniors
- **TELEPHONE-ACCESSORIES**  
Telephone Test Equipment  
Telephone-Accessories for indoor use  
Explosion-proof Telephone-Accessories
- **DETECTORS**  
Explosion-proof detectors  
Weather-proof detectors
- **ACCESSORIES / TOOLS**  
Fuses  
Tools
- **PROFI LINE**  
Acoustic signalling devices  
Optical signalling devices
- **STAR LINE**  
Explosion-proof Loudspeaker
- **EXPLOSION**  
Explosion-proof acoustic signalling devices  
Explosion-proof optical signalling devices
- **Z2 line**  
Acoustic signalling devices for Ex Zone 2  
Optical signalling devices for Ex zone 2  
Telephone for Ex zone 2





## Explosion Proof Electrical Equipment

- UNION AND CONDUIT MOUNTING FITTINGS - CABLE GLANDS
- EXPLOSION PROOF APPARATUSES "EExd" SUITABLE FOR GASES GROUP IIB-IIC AND DUSTS
- EXPLOSION PROOF LIGHTS "EExd" SUITABLE FOR GASES GROUP IIB-IIC AND DUSTS
- "EExe" INCREASED SAFETY
- EXPLOSION PROOF CONTAINERS AND LIGHTS "EExd" SUITABLE FOR GROUP I GASES

## *Plugs for the world*

<p>Receptacles 16A to 125A</p> 	<p>Plugs and receptacles for low voltage, downstream from isolating transformer, DC</p> 
<p>Plugs 16A to 125A</p> 	<p>Plugs and receptacles for refrigerated containers</p> 
<p>Connectors 16A to 125A</p> 	<p>Plugs and receptacles for hazardous areas</p> 
<p>Receptacles 16A to 125A fused, switched, switched and interlocked</p> 	<p>Plugs and receptacles for campsites and mobile consumers</p> 
<p>Receptacle combination</p> 	<p>SCHUKO and grounding-type Plugs and receptacles</p> 
<p>EverGUM Receptacle combinations in solid rubber enclosures</p> 	<p>Plugs and receptacles &gt; 125A to 400A</p> 
<p>Receptacle combinations for flexible installation</p> 	<p>Test plugs Cable connection boxes switch-disconnectors Hinged windows Enclosure</p> 
<p>Plugs and receptacles for use in corrosive environments and with high resistance to chemicals</p> 	<p>Plugs and receptacles for special applications</p> 
<p>Receptacle combinations for flexible installation</p> 	<p>Highlights of special solutions</p> 



*Scope of application  
of Hensel electrical  
installation and  
distribution systems*

- Industrial buildings
- Administration buildings
- Commercial centers
- Traffic infrastructure buildings
- Cinema complexes
- Hospitals and clinics
- Hotels
- Schools and universities
- Banks and insurance buildings
- Leisure centers
- Modern multipurpose buildings
- Stadiums and sport centers
- Agriculture
- Food industry
- House building

## Electrical Installation and Distribution Systems IP41 - IP65

**DK-Cable junction boxes**  
1.5 up to 240mm , IP 54-65



**KV-Small-type distribution boards**  
3 up to 54 modules  
IP 41-65



**Mi-Distributors**  
up to 630A, IP 54-65



**VT-Distributors VARITEC**  
up to 250A, up to IP 41



**MC-Distributors MODITEC**  
up to 630A , Ip55



**Cable Entry Systems**  
IP54-65



# EXPLOSION PROTECTED PRODUCTS



## Explosion - Protected

- Fluorescent light fittings
- Floodlights
- Portable Lamps
- Plugs and sockets
- Switchgear
- Terminal boxes
- Intrinsically safe signal conditioning
- exlink